

TRANSDUCERIZED TORQUE & ANGLE CONTROL SYSTEM

The KL-GTCS Controller allows you to be in full control of your entire fastening process. Easily setup multiple tightening parameters like speed, time, thread, direction, torque and angle directly on the user friendly touch screen HMI. Create multiple jobs for different assembly stages and quickly switch between desired job dynamically. Tightening data can be transferred out using the built-in Ethernet Module via Modbus TCP protocol.

Features

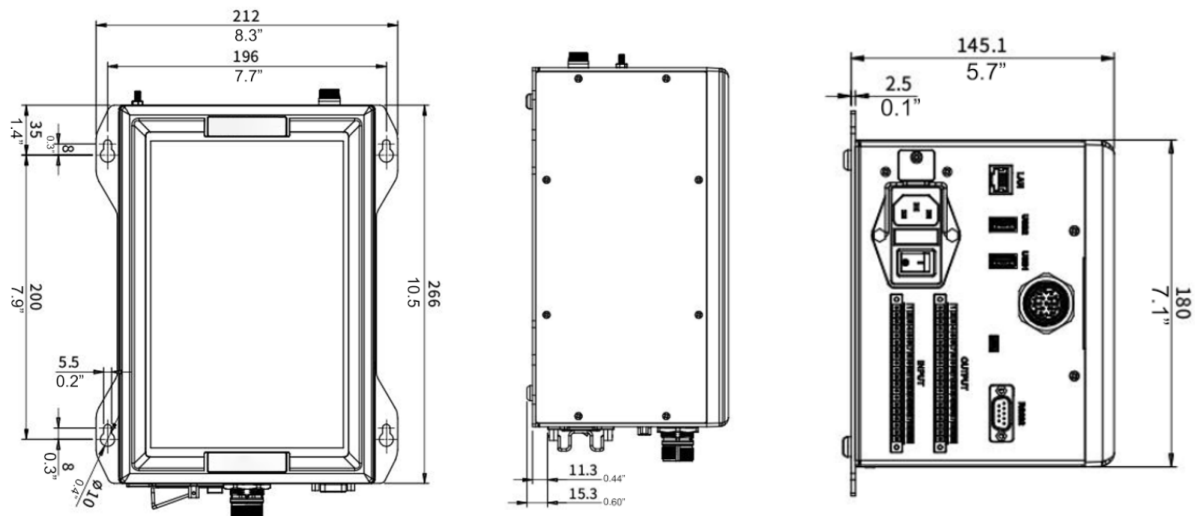
- High precision torque transducer
- High resolution angle encoder (1° - 30600°)
- Internal device storage 1 GB (Save up to 1,000,000 tightening data files)
- Program up to 8 unique rundown steps per sequence
- Program up to 99 sequences per job in normal mode and 50 sequences per job in advanced mode
- Save up to 99 jobs in normal mode and 70 jobs in advanced mode
- Export tightening data and job profiles via USB memory stick or FTP
- Customizable I/O for PLC integration
- Modbus TCP Communication Protocol

User friendly touch screen HMI provides excellent feedback & programmability



Specifications

Model	KL-GTCS
Input Voltage	AC 115/230V, 50/60 Hz, 6.3A
Output Voltage	DC 40V 9A, 360W
Count Method	Incremental/Decremental
Torque Detection Value	Based on Screwdriver Specifications
Screw Thread Number Detection	0.0-999.9
External Connection Input	Start/Forward/Reverse/Disable/Confirm
External Connection Output	OK/NG/OK ALL/Start/Reverse
Interface	RS-232, LAN, 2 x USB, I/O Terminals
Compatible Software	N-DAS
External Dimensions	266 x 180 x 145 mm (10.4 x 7.0 x 5.7")
Weight	4.1 Kg (9.0lbs)
Applicable DC screwdriver model	SGT-CS301/302F/303/503/505/507 Series



TRANSDUCERIZED TORQUE & ANGLE CONTROL SYSTEM

SGT-CS Series Inline Transducer Screwdriver

Specifications										
Model	SGT-CS301	SGT-CS302F	SGT-CS303	SGT-CS503	SGT-CS505	SGT-CS507	SGT-CS712	SGT-CS718	SGT-CS725	
Input Voltage	DC40V									
Torque	Nm	0.1-1.0	0.3-2.4	0.4-3.0	0.4-3.0	0.6-5.0	0.9-7.0	1.5-12	2.2-18	3.1-25
	in-lbs	0.9-8.8	2.7-21.2	3.4-26.6	3.4-26.5	5.6-44.3	7.8-62.0	13.3-106.2	19.9-159.3	27.7-221.2
Max Speed/Min Speed (RPM)	980/60	2000/140	980/60	1600/60	1100/60	660/60	800/40	550/30	350/20	
Power Consumption	90W									
Weight	646g (1.4 lbs)	718 (1.6 lbs)			900g (2.0 lbs)			1460g (3.2 lbs)	1475g (3.2 lbs)	
Length	290 mm (11.40")				307 mm (12.08 in)			337 mm (13.3 in)		348 mm (13.7 in)
ESD Safe	Yes									
Start Type	Lever	Push and/or Lever					Lever			
Power Controller	KL-GTCS									
Bit Type	1/4" Hex						1/4" Hex (3/8" Square Special Order)			



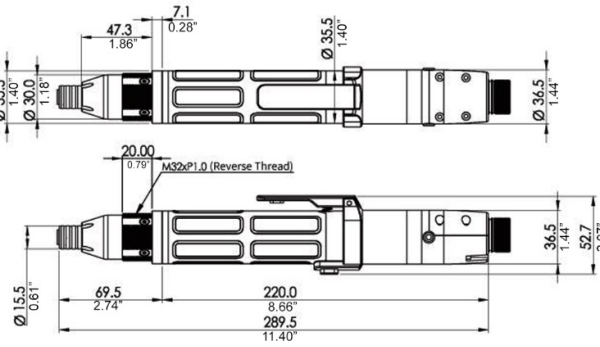
Indicator light provides visual feedback to the operator

Removable trigger for fixtured applications

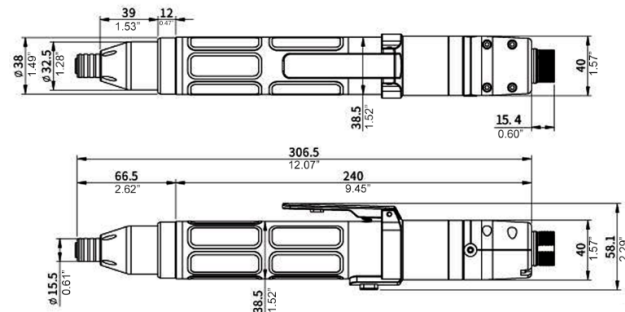
Soft rubberized grip for superior ergonomics

Precise Torque Transducer & Angle Encoder

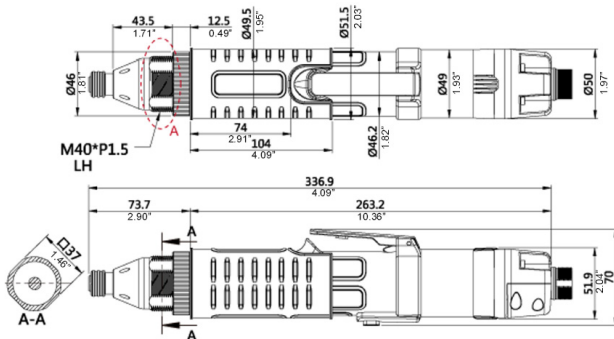
SGT-CS301/302F/303



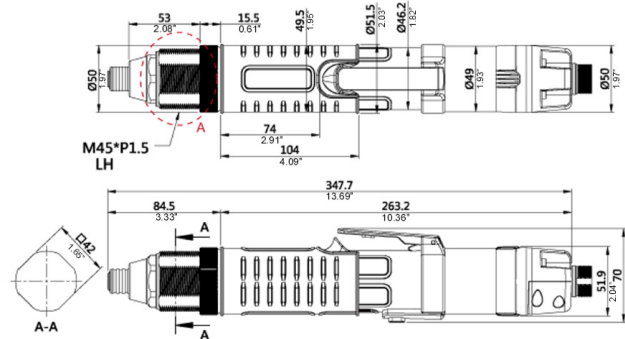
SGT-CS503/505/507



SGT-CS712/718



SGT-CS725



TRANSDUCERIZED TORQUE & ANGLE CONTROL SYSTEM

SKT-LCG Series Right Angle Transducer Screwdriver

Specifications							
Model		SGT-LCS503	SGT-LCS505	SGT-LCS507	SGT-LCS712	SGT-LCS718	SGT-LCS725
Input Voltage							
Torque	Nm	0.4-3.0	0.6-5.0	0.9-7.0	1.5-12	2.2-18	3.1-25
	in-lbs	3.4-26.5	5.6-44.3	7.8-62.0	13.3-106.2	19.9-159.3	27.7-221.2
Max Speed/Min Speed (RPM)		1100/60	800/60	450/60	600/40	400/30	250/20
Power Consumption		90W					
Weight		1233g (2.7 lbs)			2300g (5.1 lbs)		2930 (6.5 lbs)
Length		356mm (14.0 in)			422mm (16.6 in)		468mm (18.4 in)
ESD Safe		Yes					
Power Controller		KL-GTCS					
Bit Type		1/4" Hex			1/4" Hex (Use W suffix for 3/8" Square)		



SKT-LCG30/50/70

SKT-LCG30/50/70

SKT-LCG30/50/70

