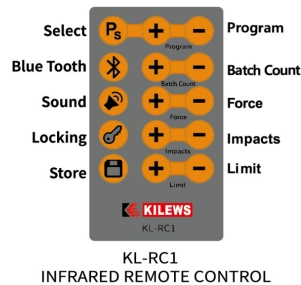
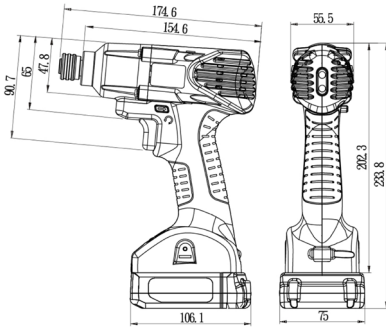


# PRECISION TORQUE SHUTOFF IMPACT DRIVER

## Features

- Multiple torque settings (99 x 6 possible combinations)
- OK & NG indicators (Sound & Lights) provide instant feedback for cross threading and screw stripping errors
- Use up to 5 program settings in sequence
- Programmable screw counter shows number of screws remaining in batch
- Programing is completed with DR-IRC1 remote control and has the capability to lock settings on the tool to avoid accidental or intentional tampering



## Specifications

Model	SKC-PTM-50	SKC-PTM-70	SKC-PTM-100W	SKC-PTM-200W
Input Voltage	14.4V			
Speed (RPM)	0~1900	0~2600	0~2000	0~1700
BPM	0~2500	0~3400	0~2600	0~2100
Torque Range	5~50 Nm (3.7~36.9 ftlb)	20~70Nm (14.7~51.6 ftlb)	20~100 (14.7~73.7 ftlb)	25~200 Nm (18.4~147.5 ftlb)
Recomended Fastner Size (Class 12.9)	M6 / M8 / M10 / M12	M8 / M10 / M12 / M14	M10 / M12 / M14 / M16	M12 / M14 / M16 / M20
Torque Range Capability (Based on fastner size)	M6 - 3~20Nm (2.2~14.7 ftlb)	M8 - 8~30Nm (5.9~22.1 ftlb)	M10 - 8~40Nm (5.9~40 ftlb)	M12 - 15~110Nm (11.0~81.1 ftlb)
	M8 - 3~20Nm (2.2~14.7 ftlb)	M10 - 8~40Nm (5.9~29.5 ftlb)	20~70Nm (14.7~51.6 ftlb)	M14 - 25~120Nm (18.4~88.5 ftlb)
	M10 - 5~30Nm (3.7~22.1 ftlb)	M12 - 20~60Nm (14.7~44.2 ftlb)	20~90Nm (14.7~66.3 ftlb)	M16 - 25~140Nm (18.4~103.2 ftlb)
	M12 - 12~50Nm (8.8~36.8 ftlb)	M14 - 25~70Nm (18.4~51.6 ftlb)	25~100Nm (20.6~73.7ftlb)	M20 - 25~200Nm (18.4~147.5 ftlb)
Drive Type	1/4" Hex (Add B suffix)		3/8" Square **Available in 1/2" Square Special Order**	1/2" Square
	3/8" Square (Add W suffix)			
Weight (Less Battery)	0.98 kg (2.1 lbs)	1.0 kg (2.2 lbs)		1.5 kg (3.3 lbs)
Dimensions (Less Battery)	174x202mm (6.8x7.8")			219x220mm (8.6x8.7")
Battery	SKC-LB1430			
Charger	SKC-P70W			
Torque Tester	KTM-IWT50 / KTM-IWT400			
Optional Accessories	KL-RC1			

# LITHIUM-ION BATTERIES & BATTERY CHARGERS

## LITHIUM-ION BATTERIES

High performance lithium-ion batteries allow the SKC-PT series screwdrivers to perform a high quantity of fastening cycles between charges. In some instances, two battery sizes are available - a standard (1950 mAh) battery and an extended life (3900 mAh) battery.



## BATTERY CHARGERS

SKC series battery chargers quickly recharge a cordless screwdriver's batteries so that they are ready when needed. The charger is capable of bringing a standard battery to an 80% charge level in about 25 minutes.

### Features include:

- Battery identification to help protect against charging the wrong brand/type of battery
- Over-temperature protection, output over-voltage protection
- Audible and visual indication when battery reaches full charge
- ETL / CE compliant



Approximate Battery Charge Times			
Battery Model/ Capacity	SKC-P70W	SKC-P80WN	SKC-P80W-D
SKC-LB1820B/C	40 min.	—	—
SKC-LB1820	—	40 min.	—
SKC-LB1840	—	80 min.	—
SKC-LB1425	—	—	40 min.

			Power on				Charged 100%
			Charging				Error
			Charged >80%				

Specifications					
Li-Ion Battery Model	Battery Voltage	Rating (mAh)	Use with tool models	Dimensions L x W x H	Weight
SKC-LB1430	14.4V	3000	Refer to Screwdriver Model Chart	107 x 75 x 43mm 4.2 x 2.9 x 1.7 in	320 g 0.7 lbs
SKC-LB1830B	18V	3000		92 x 75 x 63 mm 3.6 x 3.0 x 2.4 in	430 g 1 lbs
SKC-LB1830C	18V	3000		92 x 75 x 63 mm 3.6 x 3.0 x 2.4 in	430 g 1 lbs
SKC-LB1820	18V	1950		119 x 90 x 40 mm 4.7 x 3.5 x 1.6 in	430 g 1 lbs
SKC-LB1840	18V	3900		119 x 90 x 59 mm 4.7 x 3.5 x 1.6 in	720 g 1.6 lbs

Specifications					
Battery Charger	Input	Output	Use to charge battery model	Dimensions L x W x H	Weight
SKC-P70W	90–240VAC 50/60 Hz	16.8V, 3.2A	SKC-LB1430	107 x 75 x 43(mm) 4.2 x 2.9 x 1.7(in)	530g/1.2lbs
SKC-P80WN-D (1820B/C only)		21VDC, 3.2A	SKC-LB1830B/C	115 x 145 x 80 mm 4.5 x 5.7 x 3.1 in	460g/1.0lbs
SKC-P80WN (standard charger)		21VDC, 3.2A	SKC-LB1820/1840	115 x 145 x 80 mm 4.5 x 5.7 x 3.1 in	530 g 1.2 lbs