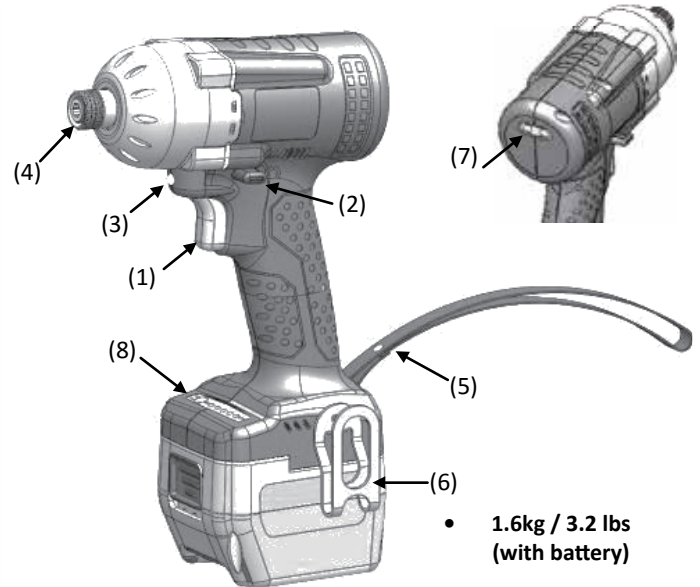


SKC-PTI CORDLESS IMPACT - SHUT-OFF

Brushless Medium Torque Battery Screwdrivers Series

SKC-PTI-50, SKC-PTI-100

Status Indicator Light
Green - Shut-Off Indication
Red - Battery Charge Status



• 1.6kg / 3.2 lbs
 (with battery)

Torque Range:

User selectable up to 100 Nm (74 ft.lbs)

Features:

- Five selectable shut-off settings
- Compact cordless design
- LED light to illuminate work area
- Status lights indicate proper shut-off and low battery charge

Overview

| No. | Description | No. | Description |
|-----|---------------------|-----|------------------------|
| (1) | Trigger Switch | (5) | Wrist Strap |
| (2) | Fwd/Rev button | (6) | Belt Hook |
| (3) | LED Work Area Light | (7) | Status Indicator Light |
| (4) | Bit Retainer | (8) | Torque Range Selection |

Specifications

| Model | SKC-PTI-50 | SKC-PTI-100 |
|---------------------------|-----------------------------|-----------------------|
| Input Voltage | 18V | |
| Free Speed (r.p.m) ±10% | 0-2300 | |
| B.P.M | 0-3000 | |
| Torque | 0-50 Nm / 0-37 ft.lb | 0-100 Nm / 0-74 ft.lb |
| Impact Modes | 1 | 0-7 Nm / 0-5 ft.lb |
| | 2 | 0-15 Nm / 0-11 ft.lb |
| | 3 | 0-25 Nm / 0-18 ft.lb |
| | 4 | 0-35 Nm / 0-26 ft.lb |
| | 5 | 0-50 Nm / 0-37 ft.lb |
| Weight (w/o battery) | 1.0 kg / 2.2 lbs | |
| Size (L x H w/o battery) | 155 x 195 mm / 6.1 x 7.7 in | |
| Applicable Battery | SKC-LB1820B | |
| Applicable Charge Station | SKC-P80W-D | |
| Drive Size | 1/4" Hex | |

External Dimensions (mm)

