



Precision Clutch Industrial Screwdrivers



www.kilewest.com

SKC-PTA CORDLESS SHUT-OFF CLUTCH SCREWDRIVERS

Add freedom of movement to your assembly process with the Kilews West SKC-PTA Series Cordless Screwdrivers. These drivers utilize the same precision shut-off clutch technology that is the foundation of the Kilews West Electric Screwdriver product line. High-performance 18V lithium-ion batteries provide plenty of power and long run times between charging cycles.

Torque Range:

1–22 Nm (9–194 in-lbs)

Features:

- Precise shut-off clutch provides excellent repeatability
- Hi/Lo speed selection switch on screwdriver
- High performance 18VDC Li-Ion batteries (purchased separately)
- Slide switch for selection of Forward/Reverse rotation; clutch operates in CCW direction at approx. 30% higher torque level than CW setting
- Versions available with either internal or external clutch adjustment
- Green/Red LEDs and audible indicators alert operator of proper clutch function at shut-off. A green LED and short beep confirm that the tool has shut-off correctly, a red LED and long beep alerts of an incorrect cycle.
- To conserve battery life, the screwdriver goes into sleep mode when idle for more than 3 seconds
- Front facing LED illuminates fastening area when the trigger is pulled
- LED indicator warns operator of low battery capacity.
- Tool is disabled when battery charge gets too low to properly run tool
- Charging station (purchased separately) provides quick recharge time



Specifications

Model*	Torque Range		Speed (rpm) Hi / Lo	Dimensions (LxH w/o Battery)	Weight (w/o Battery)	Applicable Batteries & Chargers
	Nm	In-lbs				
Models with external torque adjusting nut and reference scale						
SKC-PTA-B35	1–3.5	9–30	1000 / 650	217 x 196 mm 8.5 x 7.7 in	0.79 kg 1.7 lbs	<u>Battery:</u> SKC-LB1820B <u>Battery Charger:</u> SKC-P80W-D
SKC-PTA-B35F	1–3.5	9–30	2000 / 1300			
SKC-PTA-B60	2–6	18–53	1000 / 650			
SKC-PTA-B50F	2–5	18–44	2200 / 1400	233 x 200 mm 9.2 x 7.9 in	1.1 kg 2.4 lbs	
SKC-PTA-B90	3–9	27–79	1000 / 650			
SKC-PTA-B120	6–12	53–106	880 / 570			
Models with internal torque adjustment — slide open access cover and set using adjusting key						
SKC-PTA-80	4–8	36–70	1200 / 780	214 x 197 mm	1.0 kg	<u>Battery:</u> SKC-LB1840 <u>Battery Chargers:</u> SKC-P120W/SKC-P80W
SKC-PTA-120	5–12	44–106	720 / 450	8.4 x 7.8 in	2.2 lbs	
SKC-PTA-150	6–15	53–132	600 / 380	224 x 200 mm	1.2 kg	
SKC-PTA-220	8–22	70–194	350 / 200	8.8 x 7.9 in	2.6 lbs	

*Standard model number is for tool with 1/4" hex bit holder. Add suffix 'W' for 3/8" square drive option (eg. SKC-PTA-150W)

SKC-PTA CORDLESS SHUT-OFF CLUTCH NUTRUNNERS

Torque Range:

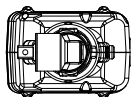
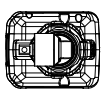
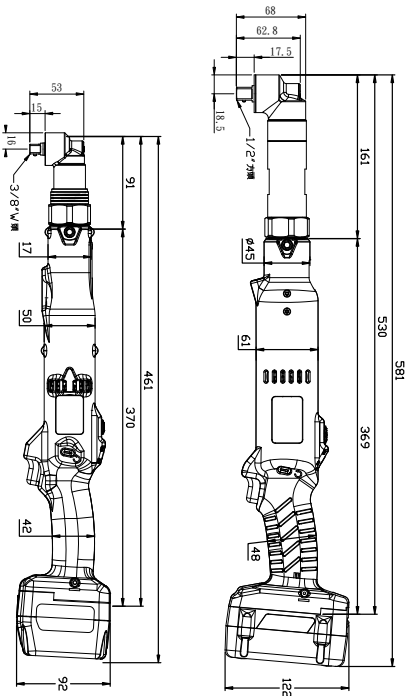
12–60 Nm (8.8–44.2 ft-lbs)

Features:

- Precise shut-off clutch provides excellent repeatability and minimizes torque reaction to the operator
- Hi/Lo speed selection switch on nutrunner
- Powerful DC brushless motor
- High performance 18VDC Li-Ion batteries (purchased separately)
- Front facing LED illuminates fastening area when the trigger is pulled
- To conserve battery life, the screwdriver goes into sleep mode when idle for more than 3 seconds
- Includes swivel bail for suspending from tool balancer
- Long service life — Factory tested to 2,000,000 cycles
- Green/Red LEDs and audible indicators alert operator of proper clutch function at shut-off
- Charging station (purchased separately) provides quick recharge time



External Dimensions (mm)



Specifications

Model	SKC-PTA-L120	SKC-PTA-L300	SKC-PTA-L600
Input Voltage	18V	18V	
Torque	6–12 Nm 4.4–8.8 ft-lbs	12–30 Nm 8.8–22 ft-lbs	25–60 Nm 18.4–44.2 ft-lbs
Repeatable Torque Accuracy	±5%		
Torque Adjustment	Internal Stepless		
Free Speed (rpm) ±10%	Hi	550	420
	Lo	350	270
Weight (w/o battery)	1.5 kg / 3.3 lbs	1.9 kg / 4.2 lbs	2.85 kg / 6.3 lbs
Length (w/o battery)	415 mm / 16.3 in	450 mm / 17.7 in	530 mm / 20.9 in
Applicable Battery	SKC-LB1820B	SKC-LB1820C	SKC-LB1840
Applicable Charge Station	SKC-P80W-D	SKC-P80W-D	SKC-P120W / SKC-P80W
Drive Size	3/8" Sq	3/8" Sq	1/2" Sq

SKC-PTA-BS20/30/45 BRUSHLESS SCREWDRIVERS

Torque Range:

0.3–4.5 Nm (2.7–40 in-lbs)

Features:

- Consistent torque output — Torque accuracy $\pm 3\%$ *
- Clean, brushless motor technology
- Dependable, long lifespan
- Two speed selections available
- Lever start, forward/reverse switch
- LEDs and audible indicators alert user to proper clutch activation at shut-off, low battery power, and current speed setting
- To conserve battery power, screwdriver enters sleep mode when idle for more than 3 seconds
- Charging station (purchased separately) provides quick recharge time (~45 minutes)
- Includes torque lock sleeve, belt clip, suspension
2 driver bits (PH #1 + PH #2)

*Factory test values - actual torque results may vary depending on the specific application, operator input, and test equipment used.



Model	In-Line			Right Angle			
	SKC-PTA-BS20	SKC-PTA-BS30	SKC-PTA-BS45	SKC-PTA-BS20/RA	SKC-PTA-BS30/RA	SKC-PTA-BS45/RA	
Input Voltage	10.8V			10.8V			
1.5-3.6 Torque Range	Nm	0.3–2.0	0.8–3.0	1.5–4.5	0.3-1.6	0.8-2.4	1.5-3.6
	in-lbs	2.7–18	7.1–27	13–40	2.7-14	7.1-21	13-32
Repeatable Torque Accuracy	$\pm 3\%$			$\pm 3\%$			
Speed (rpm)	1200 / 850		700 / 500	1200 / 850		700 / 50	
Start Type	Lever			Lever			
Weight (w/o battery)	0.7kg (1.5lbs)			0.95kg (2.1lbs)			
Size (L x H w/o battery)	270 x 60 mm (10.6 x 2.4 in)			320 x 60mm (12.6 x 2.4in)			
Applicable Battery	SKC-LB1025S			SKC-LB1025S			
Applicable Charging Station	SKC-P50WN-S			SKC-P50WN-S			
Applicable Bit Type	1/4" Hex			1/4" Hex			

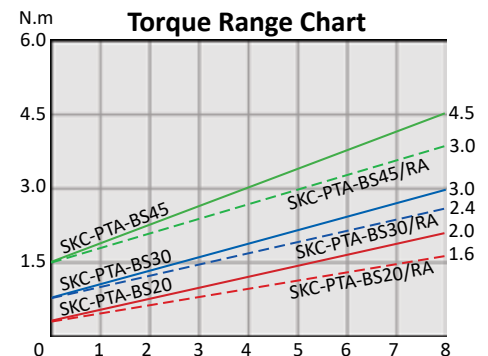


Compatible with the KL-1200 Tool Balancer



LED indicators

top	OK Clutch
	NG Clutch
bottom	Low Speed Mode
	Low Battery



SKC-PTA-BS20/30/45 BRUSHLESS SCREWDRIVERS

SKC-LB1025S Battery

Features:

- High-performance Li-ion technology
- Built-in protection prevents battery overcharge and over discharge, extending lifespan



Specifications

Use with Tool Model	SKC-PTA-BS20/30/45
Voltage	10.8V
Rating (mAh)	2500
Dimensions (L x W x H)	51 x 46 x 90 mm
Weight	200 g
Certification	CE, ETL

SKC-P50WN-S Charging Station

Features:

- Visual indicators show recharging status
- Audibly notifies user when battery is fully charged
- Fully recharges SKC-LB1025S in ~40 minutes



Specifications

Charges Battery Model	SKC-LB1025S
Input	90–240V
Output	12.6V, 3.75A
Dimensions (L x W x H)	145 x 115 x 93 mm
Weight	470 g
Certification	CE, ETL

LITHIUM-ION BATTERIES & BATTERY CHARGERS

LITHIUM-ION BATTERIES



High performance lithium-ion batteries allow the SKC-PT series screwdrivers to perform a high quantity of fastening cycles between charges. In some instances, two battery sizes are available - a standard (1950 mAh) battery and an extended life (3900 mAh) battery.

Specifications				
18V Li-Ion Battery Model	Rating (mAh)	Use with tool models	Dimensions L x W x H	Weight
SKC-LB1820C	2000	SKC-PTA-L300	92 x 75 x 63 mm 3.6 x 3.0 x 2.4 in	430 g 1 lbs
SKC-LB1820B	2000	Refer to Screwdriver Model Chart	92 x 75 x 63 mm 3.6 x 3.0 x 2.4 in	430 g 1 lbs
SKC-LB1820	1950		119 x 90 x 40 mm 4.7 x 3.5 x 1.6 in	430 g 1 lbs
SKC-LB1840	3900		119 x 90 x 59 mm 4.7 x 3.5 x 1.6 in	720 g 1.6 lbs

BATTERY CHARGERS

SKC series battery chargers quickly recharge a cordless screwdriver's batteries so that they are ready when needed. The charger is capable of bringing a standard battery to an 80% charge level in about 25 minutes.

Features include:

- Battery identification to help protect against charging the wrong brand/type of battery
- Over-temperature protection, output over-voltage protection
- Audible and visual indication when battery reaches full charge
- ETL / CE compliant



Approximate Battery Charge Times

Battery Model/ Capacity	SKC-P120W	SKC-P80W	SKC-P80W-D
SKC-LB1820B/C	—	—	40 min.
SKC-LB1820	40 min.	40 min.	—
SKC-LB1840	60 min.	80 min.	—

	Power on		Charged 100%
	Charging		Error
	Charged >80%		

Specifications

Battery Charger	Input	Output	Use to charge battery model	Dimensions L x W x H	Weight
SKC-P80W-D (1820B only)	90–240VAC 50/60 Hz	21VDC, 3.2A	SKC-LB1820B/C	115 x 145 x 80 mm 4.5 x 5.7 x 3.1 in	530 g 1.2 lbs
SKC-P80W (standard charger)		21VDC, 3.2A	SKC-LB1820/1840	115 x 145 x 80 mm 4.5 x 5.7 x 3.1 in	530 g 1.2 lbs
SKC-P120W* (premium charger)		21VDC, 3.0–4.5A	SKC-LB1820/1840	170 x 160 x 80 mm 6.7 x 6.3 x 3.1 in	1068 g 2.4 lbs

*Premium Charger Model SKC-P120W has a built-in cooling fan and an LCD display which shows Charge Time, Cell Temperature, Battery Voltage, Recharge Status and Battery ID verification.



7370 Commercial Circle, Fort Pierce, FL 34951

Ph. 772-293-0071

Fx. 772-465-4368

sales@kilewest.com

www.kilewest.com



Cat#KW1019BAT