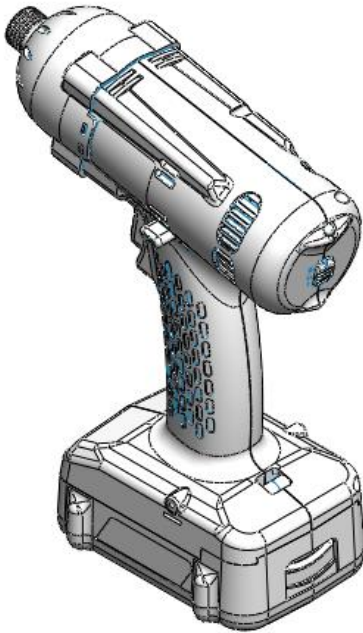




**IMPACT SERIES Cordless Screwdriver**  
**OPERATION AND MAINTENANCE MANUAL**



**SKC-PTI-160B**  
**(Impact Driver)**

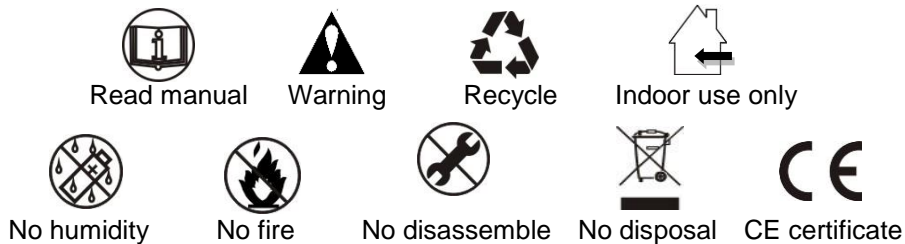
**SKC-PTI-250W**  
**(Impact Wrench)**

**KILEWS INDUSTRIAL CO., LTD.**

<http://www.kilews.com>

Please read manual carefully before operating the rechargeable impact screwdriver.

### Icon Instruction



### Accessories

Item	Quantity	Unit
Manual	1	PCS
Guarantee Card	1	PCS
Waist hook	1	PCS
Screw M3*0.5P*10LT	1	PCS
Socket Extension (B) / (W)	1 / 0	PCS
BIT(B) / (W)	2 / 0	PCS

## Warning

Read all instructions and make sure the appearance of the device has no damage before you use it. Failure to follow all instructions listed below may result in electric shock fire and/or serious injury.


1. Keep the working area nice and clean.
  - 1.1 Mess and dark areas may cause of accidents.
  - 1.2 Keep the device away from rain or moisture to decrease the risk of electric shock or short-circuiting occurred.
2. Be alert to workplace safety
  - 2.1 Use the device under a well lit and clean environment.
  - 2.2 Keep children and other people away unless the person has been assigned for the task to avoid the danger of injury.
  - 2.3 Do not play around while the tool is being used to avoid the danger of distractions.
  - 2.4 Do not work with the device in potentially explosive environments in which there are inflammable liquids, gases or dusts. Electrical power tools create sparks, which can ignite dusts or fumes.
  - 2.5 Do not use the device if you are tired or under the influence of drugs, alcohol or medication.
3. When the devices are not being used, store them in a safe place.
4. Use a suitable device for the job will be safer at work and have a better result.
5. Always use a screwdriver that is intended for the task you are undertaking. Do not overload or use it improperly such as drilling or tapping.
6. Dress properly. Do not wear loose clothing or jewels while operating the tool to avoid the danger of trapping.
7. By using the device correctly, make sure to hold it firmly with two hands in place before starting the trigger.
8. When using the electrical power tool, take into account the auxiliary handle or waist hook is advantage of working conditions. On the contrary, the purposes of the waist hook or driver hook is convenient to put the device away and easier to keep it out of reach of children.
9. Look after either the device or the battery carefully and have any damaged parts repaired by an authorized or qualified shop. Always keep the tool nice and clean; pay attention on the machine grease which might ruin the tool.
10. Disconnect the plug from the power source after the charger has been used.
11. Take apart the battery from the device when it is not being used.
12. Use only the accessories that are detailed in the operating instructions. The use of others which are not recommended in the operating instructions may affect the functioning of the device. It could lead to an increased risk of personal injury as well.
13. Remain alert at all times and watch what you are doing during proceeding. Before operation, always check every part is in good condition and move freely in order to function properly.
14. This device only applies for metal screw bits designated with their dimensions and their shape. Do not recommend to countersink or force of loading on any material such as plastic and wooden.

15. The device does not apply for elastic or tensile load with washer on.
16. To prevent parts in gearbox from damage, replace the grease at least once for every year.
17. It is necessary for the operators to read and follow up all the operating instructions in this manual.  
KILEWS is not responsible for any personal injury that might cause of disobeying the safety advices.

## Function of Cordless Protection

- |                                    |                              |
|------------------------------------|------------------------------|
| ■ Over electric current protection | ■ Prevent from low power     |
| ■ Thermal Protector                | ■ Stall protection           |
| ■ Slow rotation protection         | ■ Reverse control protection |
| ■ Battery Identification           | ■ Sleeping mode              |

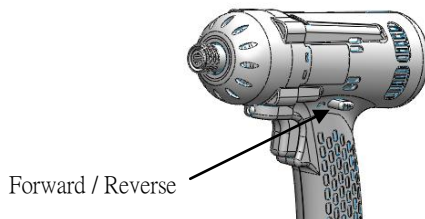
## Warning

 **Do not attempt to repair or disassemble this cordless screwdriver, the warranty will be considered void.**

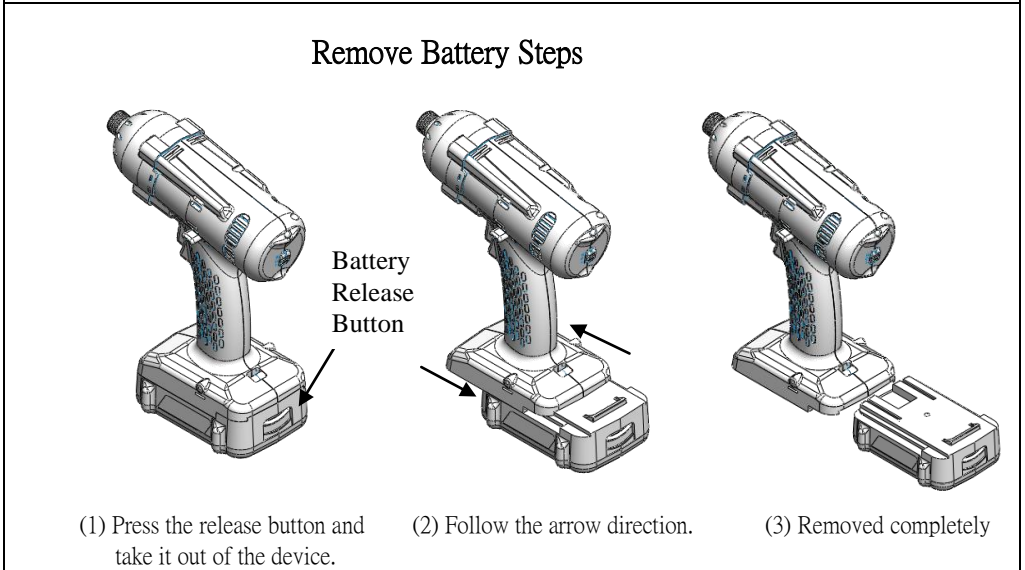
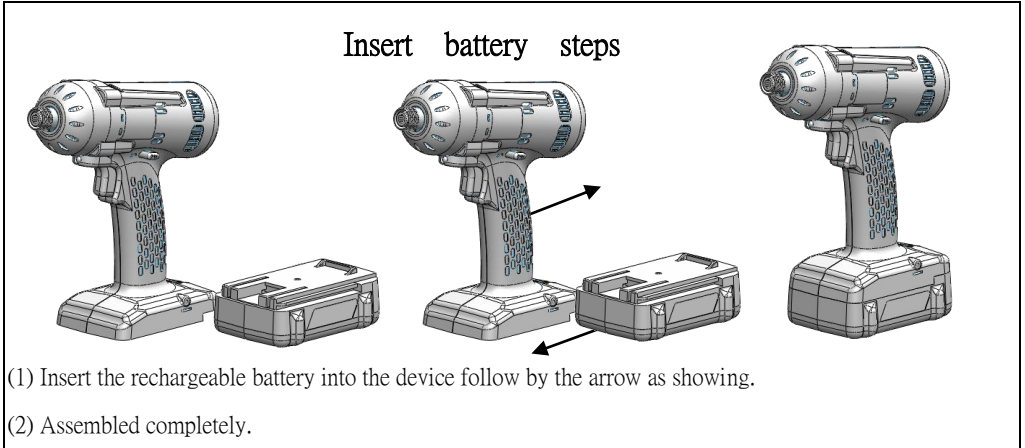
1. Make sure to remove the battery pack before maintaining or repairing the device by a qualified technician.
2. Do not attempt to disassemble or reassemble the device at will which may result in poor performance or danger of injury, the warranty applies only to initial package.
3. Do not repair the device with other than genuine KILEWS replacement parts may result in poor performance or danger of injury, the warranty will be considered void.
4. The temperature between 0° C ~35° C would be an ideal condition of carrying out the tasks on the device.

## Operation Cautions

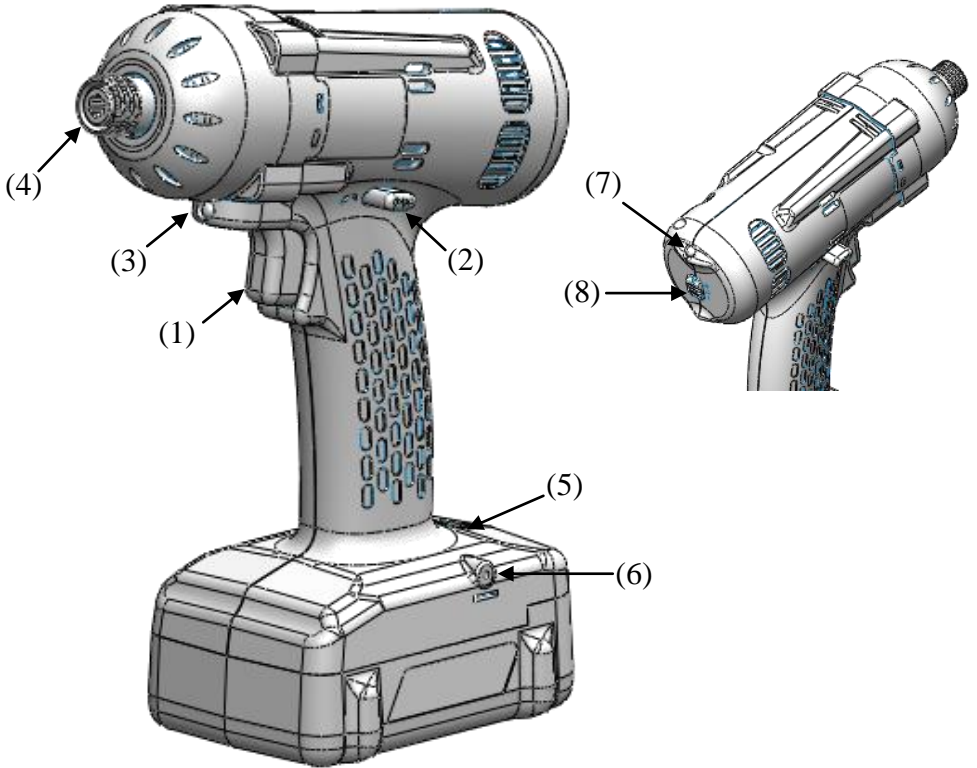
1. Charge the battery in the charging station before first use to make sure operates at its highest capacity. To ensure operators against injuries, release the forward/reverse lever as arrow showing below into a center position to have trigger locked before start or disassemble the device.



- 2.1. Below illustration is showing the process of correct install & disassemble the rechargeable battery. The beep sound comes along with a flash while the screwdriver is supplied genuine battery installation. It could be operated once the battery has been identified.
- 2.2. Too slow to install the battery may cause error identification so the beep sound and flash would be continuing. In order to function properly, re-assembling it as below process again.



## Appearance Functions Introduction



Function Name Table

No.	Description	No.	Description
(1)	Trigger Switch	(5)	Wrist strap hole
(2)	Forward/Reverse Lever	(6)	S waist hook
(3)	LED Light	(7)	Indicator light
(4)	Bit sleeve	(8)	H/M/L time control switch

## Manual / Functions



### 1. Impact cordless screwdriver

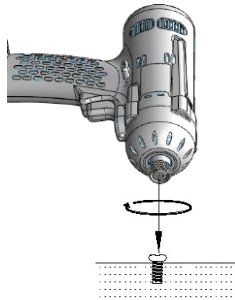
Screws are continually fastened up while come along with clutch PA-PA-PA sound until the device reaches the setting time of H/M/L control.

#### (1) Trigger switch

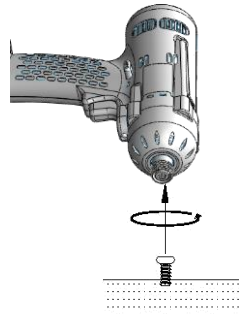
The LED lights on when the trigger switch has been pressed about one-third down, and then the screwdriver starts functioning when the switch trigger has been pressed half way down; on the contrary, it stops when the screw has been tightened up or the trigger has been released.

#### (2) Forward/Reverse switch

When push the Forward/Backward switch to the right. According to the symbol  on the switch, the screwdriver rotates clockwise and tightens the screws. When push the switch to  the screwdriver will rotate anti clockwise and loosen the screw. When the screwdriver is idle, set the Forward/Reverse switch in the middle.



Forward (screw)



Reverse (unscrew)

#### (3) LED light

While press the trigger, the LED lights up automatically to assist the job to be done; on the contrary, it will be off once the trigger has been released.

#### (4) Bit sleeve

Switch the screw bit and compatibility, pull the head of the type B screwdriver, and install the bit according to the diagram below, after installing the bit please also install the W type cap and push it in following the arrow indicated on the diagram below on Diagram 2.

Pull the bit holder

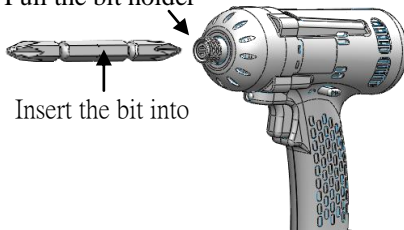


Diagram 1

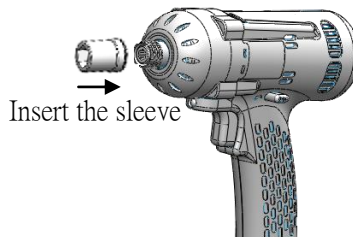


Diagram 2

(5) Hole for wrist band

Enable to install the wrist band which is more convenient and safer for users.

(6) Waist hook

The waist hook allows users to carry the device easily by attaching it to their work belt.

(7) Functional light and the status indicator

Whenever the remaining power in the rechargeable battery is fewer than 20%, the tool is still alive but with red flash lights on. Once the remaining power is towards 10% or even fewer it may result in poor performance with the continuing red lights on.

(8) H/M/L time control switch

Time control switch H/M/L is to control the running time of the screwdriver after screws are fastened up. When set the H/M/L switch to Hi, the device will complete the impacting and fastening process under 5 seconds. When set the H/M/L switch to Mid, the device will complete the impacting and fastening process under 3 seconds. When set the H/M/L switch to Lo, the screwdriver will complete the impacting and fastening process under 1 seconds.

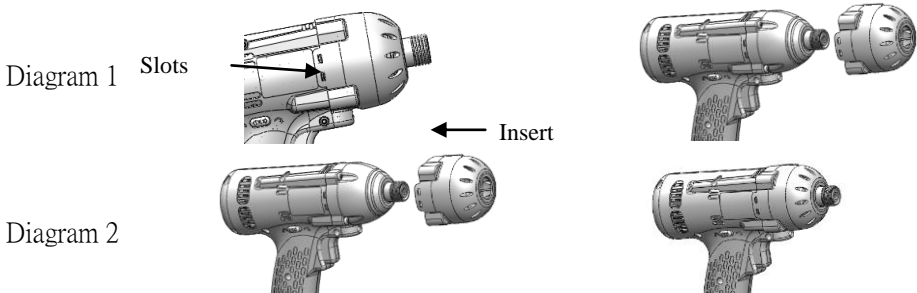
2. Chemicals, Acetone, Benzene, Alcohol, Thinner, Ketone, trichloroethylene, etc shall not be in contact with the surface of the screwdriver in order to prevent chemical damage.
3. Please pay attention when operating the rechargeable screwdriver. Do not drop or abuse the screwdriver.
4. Not allow to turn the H/M/L switch during operation in order to cause system malt-function.
5. During operation, the Forward/Reverse switch has been changed accidentally that the device will enable its self-protecting mode which is power off. Re-start the tool when this happen.
6. When switches Forward/Backward switch during the screwdriver still operating, the protection mechanism will be triggered and cause the motor to stop. Restart the screwdriver again will change back to normal.
7. Each operational torque setting, using time and frequency may result in different level of wear and tear, at higher torque setting and use extensively could accelerate the wearing down of tool. After one month, the torque is getting reduce gradually at the rate of 2~3% or 3~5 % (max torque). The longer use of the device, torque reduction will become stable and the users could measure the torque by a tester on a regular time schedule to check if the torque power still meets the criteria.

## Other Cautions

1. The best condition of using the tool is under 8 hours a day, do not over loaded.
2. Do not attempt to repair or disassemble this cordless screwdriver without authorization. Always have the device serviced by assigned factory or qualified person in order to have the warranty effective continually.



3. KILEWS is not responsible for any poor performance or damage caused by customers own modification of the tool.
4. It is necessary for the management to have individual operators read and follow up all instructions in this manual. Do not attempt to repair or disassemble this cordless screwdriver themselves.
5. Removing protection cap by pry open the slots located on both side of the screwdriver as indicated in the diagram 1 below. To install the protection cap, the cap gap facing downward and push it into the slots. As indicated in the diagram 2 below.



6. The torque measuring of SKC-PTI-250 and SKC-PTI-160 is completed by SKIDMORE-WILHELM model J bolt tension calibrator.

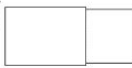
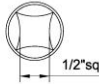
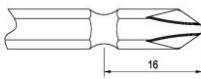

## Description of battery and charger

1. KILEWS SKC-LB series of batteries as options to fit in the device; you may consult with local agent based on your task requirement.
2. The use of other than genuine KILEWS batteries or screwdrivers can't be active due to the build-in protection system enforce no charging.
3. SKC-P120W charger with LED on is recommended.

## Warring beep sound

1. Screwdriver stops along with three warring beep occurs while the motor speed is lower than 1000 rpm.
2. PCB temperature detector preventing the screwdriver overheated; it stops along with three warring beep occurs while the PCB temperature is over 70°C.
3. Restarting the screwdriver which dismissing from a safety mood may come along with three beep sounds.

## Specifications

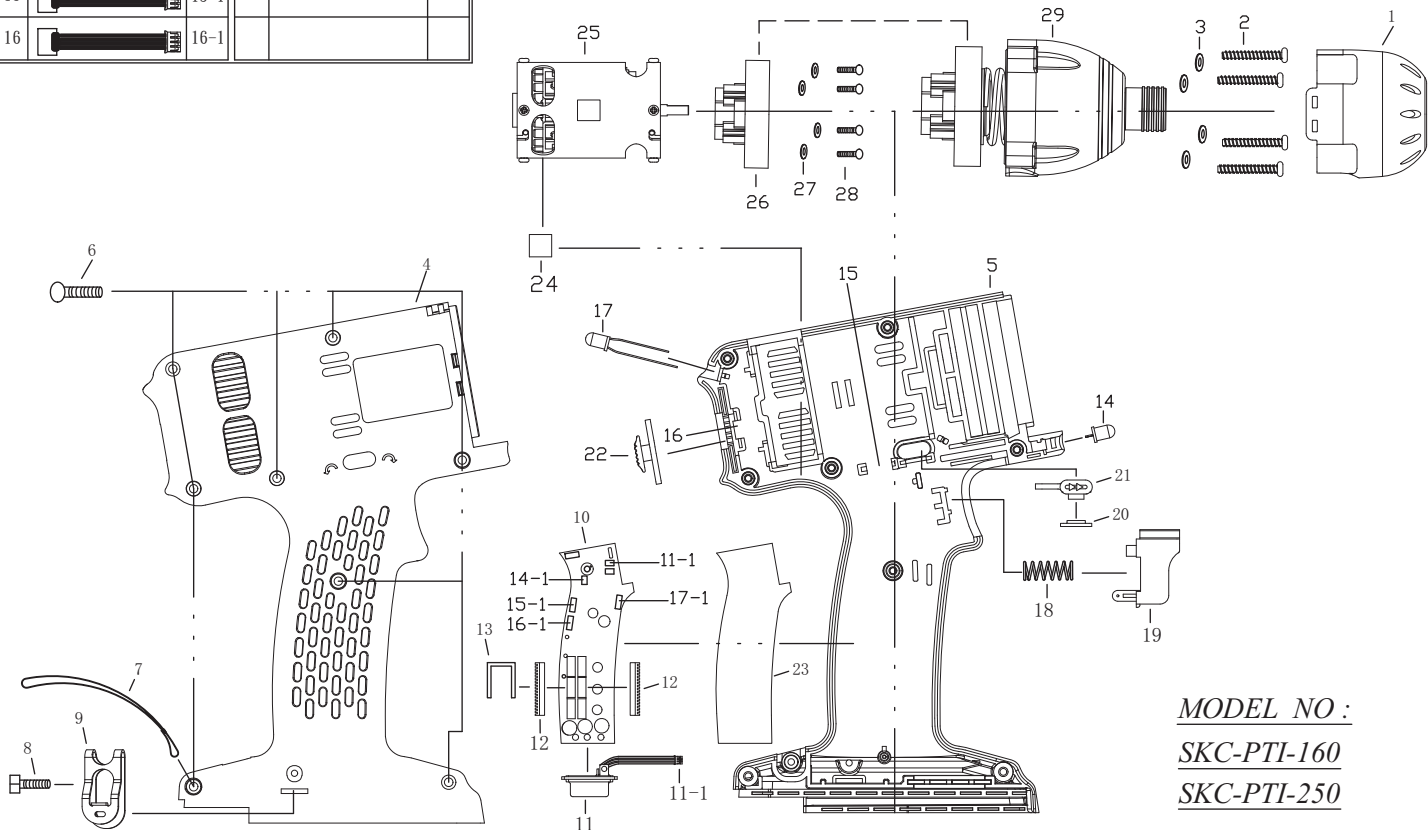
MODEL	SKC-PTI-250W	SKC-PTI-160B	
Input Voltage	DC 18V		
Bit torque(N.m)	H	0~250	0~160
	M	0~160	0~120
	L	0~100	0~80
Rev speed at no load n0: (r/min) ±10%	0~2300	0~2100	
Impact rate (B.P.M)	0~3800	0~2800	
Weight (Kg)	1.1kg( battery not include )		
Length (mm)	188 mm * 181mm ( L * H battery not include )		
Model of rechargeable battery	SKC-LB1830/ SKC-LB1840		
Model of battery charger	SKC-P120W SKC-P80W SKC-80W		
Bit type	<div style="display: flex; justify-content: space-around; align-items: center;"> <div style="text-align: center;"> <p><b>W</b></p>  </div> <div style="text-align: center;">  <p>1/2"sq</p> </div> <div style="text-align: center;"> <p><b>B</b></p>  <p>16</p> </div> <div style="text-align: center;">  <p>6.35</p> </div> </div>		

**Bits Code** ~ W: square B: Hex 6.35mm

**Accessory** ~ B I T no. : NO.3# apply to 3.0~4.0mm

**CAUTION**   
**KEEP THESE INSTRUCTIONS**  
**DO NOT DESTROY**

零件編號	排插圖示	排插位置	零件編號	排插圖示	排插位置
14		14-1	17		17-1
15		15-1			
16		16-1			



**MODEL NO. :**  
**SKC-PTI-160**  
**SKC-PTI-250**

CUSTOMER		Dwg. NAME		PRODUCTION NO.			
ITEM NO.		REV. NO.		REV. NO.		REV. NO.	
TITLE		DATE		THIRD ANGLE PROJECTION			
		DATE		UNIT	SCALE	SHEET NO.	TOTAL SHEETS
		DATE					

**KILEWS INDUSTRIAL CO., LTD.**

NO	PARTS NO	PARTS NAME-E	PARTS NAME-C	Qty	NO	PARTS NO	PARTS NAME-E	PARTS NAME-C	Qty
1	C50223	Protection	保護套	1	17	E33111	Red LED	LED 發光二極體 紅光	1
2	CH20519-3	Screw	螺絲	4	18	CK28033	Trigger Spring	壓板彈簧	1
3	CH20302-4	WASHER	華司	4	19	CC70014F	Trigger Assembly	手按開關半成品	1
4	CAB00004	Housing-Upside	上蓋	1	20	E63231-1	Forward/Reverse Spring	正反切換桿彈片	1
5	CBB00004	Housing-Underside	下蓋	1	21	CI50218-2	Forward/Reverse Lever PTI-160	正反切換桿半成品 (藍色) PTI-160	1
6	CH20527	Screw	螺絲	8		CI50218-1	Forward/Reverse Lever PTI-250	正反切換桿半成品 (黑色) PTI-250	1
7	R481874	Wrist band	手腕帶	1	22	CI50216-1	HI-LO Switch	高低速切換推板	1
8	CH20525	Screw	螺絲	1	23	W10200	Insulating Washer	PC絕緣墊片 30*102*0.2	1
9	CJ20014	Waist hook	S腰帶吊鉤	1	24	W10200-1	Insulating Washer	PC絕緣墊片 30*30	1
10	EG31517	PCB "PTI-160B"	控制機板 "PTI-160B"	1	25	MO00004	Motor Assembly	馬達成品	1
	EG31517-1	PCB "PTI-250W"	控制機板 "PTI-250W"	1	26	G30103	Motor Spacer	馬達板	1
11	EG31504-3	Power Module	電源模組半成品	1	27	CH20301-10	WASHER	華司	4
12	E32205	HEAT SINK	散熱片	2	28	CH20505-8	Screw	螺絲	4
13	W50109-3	CLAMP	散熱片夾簧	1	29	GZPTI16000-1B	Gear Housing for PTI-160B	齒輪箱成品 SKC-PTI-160B	1
14	N15017-1	LED Light	LED照明燈半成品	1		GZPTI16000-2B	Gear Housing for PTI-160B9.5	齒輪箱成品 SKC-PTI-160B9.5	1
15	EG31439-1	F/R Switching Element PCB	正反轉機板半成品	1		GZPTI25000-1W	Gear Housing for PTI-250W	齒輪箱成品 SKC-PTI-250W	1
16	EG31440-1	Speed adjustment PCB	高低速機板半成品	1					