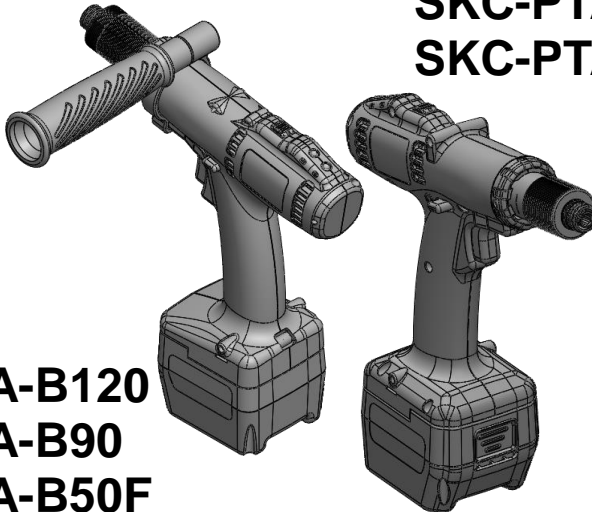


# Automatic Industrial Cordless Brushless Power Torque Screwdrivers Series

## OPERATION AND MAINTENANCE MANUAL

**SKC-PTA-B60**  
**SKC-PTA-B35**  
**SKC-PTA-B35F**



**SKC-PTA-B120**  
**SKC-PTA-B90**  
**SKC-PTA-B50F**

### **CAUTION!!**

**SKC-PTA-B120/B90 SERIES IS ADVANCEMENT IN HIGH TORQUE MOTORS DESIGN.  
TO BE MORE SAFTY, ASSEMBLE THE AUXILIARY HANDLE BEFORE OPERATION.**

**KILEWS INDUSTRIAL CO., LTD.**

<http://www.kilews.com>

Before you use the Cordless Screwdriver for the first time, it is essential to read and understand the manual completely (including the spare parts view). The term “Cordless Screwdriver” in all of the warning listed below refers to your main operated appliance.

### Icon Instructions



- 1. Read instruction manual.
- 2. Observe caution and safety notes.
- 3. Recyclable.
- 4. For indoor use only.
- 5. Do not expose to wet or rain conditions.
- 6. Do not operate in an explosive atmosphere.
- 7. Do not disassemble.
- 8. Forbid to throw away.
- 9. CE certification.

### Accessories

Item	Quantity	Unit
Manual	1	PCS
Guarantee Card	1	PCS
Torque Fixing Ring	1	PCS
Waist hook	1	PCS
Driver hook	1	PCS
Screw M3*0.5P*10LT	1	PCS
Socket Extension	1	PCS
BIT	2	PCS
Slip resistant soft cover ( Blue)	1	PCS
Slip resistant soft cover (Yellow)	1	PCS
Slip resistant soft cover (Red)	1	PCS

## Warning

Read all instructions and make sure the appearance of the device has no damage before you use it. Failure to follow all instructions listed below may result in electric shock fire and/or serious injury.


1. Keep the working area nice and clean.
  - 1.1 Mess and dark areas may cause of accidents.
  - 1.2 Keep the device away from rain or moisture to decrease the risk of electric shock or short-circuiting occurred.
2. Be alert to workplace safety
  - 2.1 Use the device under a well lit and clean environment.
  - 2.2 Keep children and other people away unless the person has been assigned for the task to avoid the danger of injury.
  - 2.3 Do not play around while the tool is being used to avoid the danger of distractions.
  - 2.4 Do not work with the device in potentially explosive environments in which there are inflammable liquids, gases or dusts. Electrical power tools create sparks, which can ignite dusts or fumes.
  - 2.5 Do not use the device if you are tired or under the influence of drugs, alcohol or medication.
3. When the devices are not being used, store them in a safe place.
4. Use a suitable device for the job will be safer at work and have a better result.
5. Always use a screwdriver that is intended for the task you are undertaking. Do not overload or use it improperly such as drilling or tapping.
6. Dress properly. Do not wear loose clothing or jewels while operating the tool to avoid the danger of trapping.
7. Please hold the cordless screwdriver carefully before operating and avoid wrong operating method
8. When using the electrical power tool, take into account the auxiliary handle or waist hook is advantage of working conditions. On the contrary, the purposes of the waist hook or driver hook is convenient to put the device away and easier to keep it out of reach of children.
9. Look after either the device or the battery carefully and have any damaged parts repaired by an authorized or qualified shop. Always keep the tool nice and clean; pay attention on the machine grease which might ruin the tool.
10. Disconnect the plug from the power source after the charger has been used.
11. Take apart the battery from the device when it is not being used.
12. Use only the accessories that are detailed in the operating instructions. The use of others which are not recommended in the operating instructions may affect the functioning of the device. It could lead to an increased risk of personal injury as well.
13. Remain alert at all times and watch what you are doing during proceeding. Before operation, always check every part is in good condition and move freely in order to function properly.
14. This device only applies for metal screw bits designated with their dimensions and their shape. Do not recommend to countersink or force of loading on any material such as plastic and wooden.
15. The device does not apply for elastic or tensile load with washer on.

16. To prevent parts in gearbox from damage, replace the grease at least once for every year.
17. It is necessary for the operators to read and follow up all the operating instructions in this manual.  
KILEWS is not responsible for any personal injury that might cause of disobeying the safety advices.

## Function of cordless protection

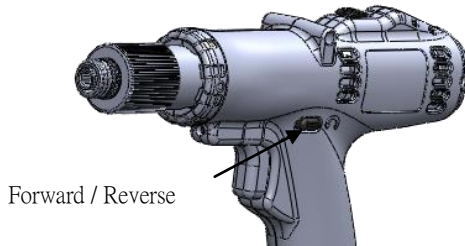
- |                                    |                              |
|------------------------------------|------------------------------|
| ■ Over electric current protection | ■ Prevent from low power     |
| ■ Thermal Protector                | ■ Stall protection           |
| ■ Slow rotation protection         | ■ Reverse control protection |
| ■ Battery Identification           | ■ Sleeping mode              |

## Warning

-  **Do not attempt to repair or disassemble this cordless screwdriver, the warranty will be considered void.**
1. This rechargeable screwdriver maintenance Make sure to remove the battery pack before maintaining or repairing the device by a qualified technician.
  2. Do not attempt to disassemble or reassemble the device at will which may result in poor performance or danger of injury, the warranty applies only to initial package.
  3. Do not repair the device with other than genuine KILEWS replacement parts may result in poor performance or danger of injury, the warranty will be considered void.
  4. The temperature between 0° C ~ 35° C would be an ideal condition of carrying out the tasks on the device.

## Operating instructions

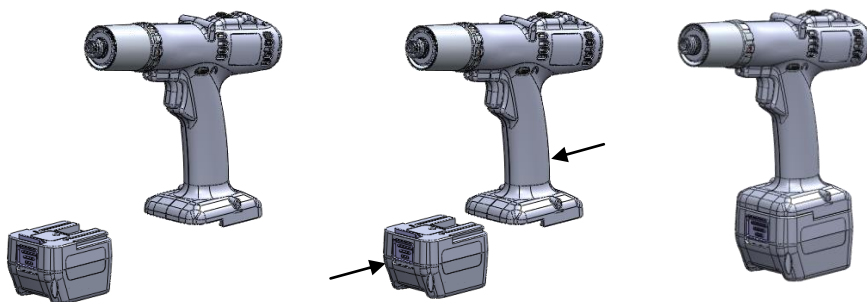
1. Charge the battery in the charging station before first use to make sure operates at its highest capacity. To ensure operators against injuries, release the Forward/Reverse lever as arrow showing below into a center position to have trigger locked before start or disassemble the device.



2.1 Below illustration is showing the process of correct install & disassemble the rechargeable battery. The beep sound comes along with a flash while the screwdriver is supplied genuine battery installation. It could be operated once the battery has been identified.

2.2 Too slow to install the battery may cause error identification so the beep sound and flash would be continuing. In order to function properly, re-assembling it as below process again.

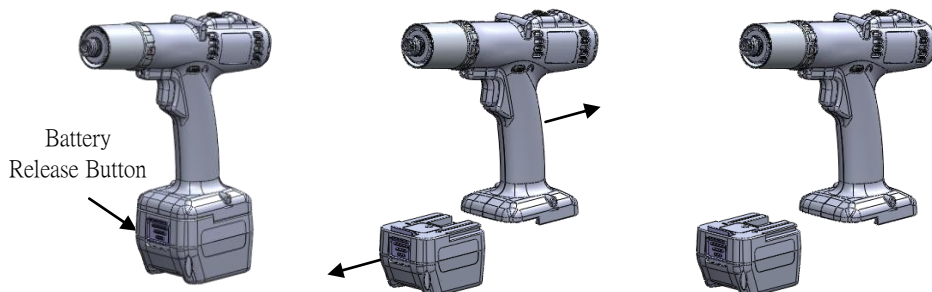
### Insert Battery Steps



(1) Insert the rechargeable battery into the device follow by the arrow as showing.

(2) Assembled completely.

### Remove Battery Steps

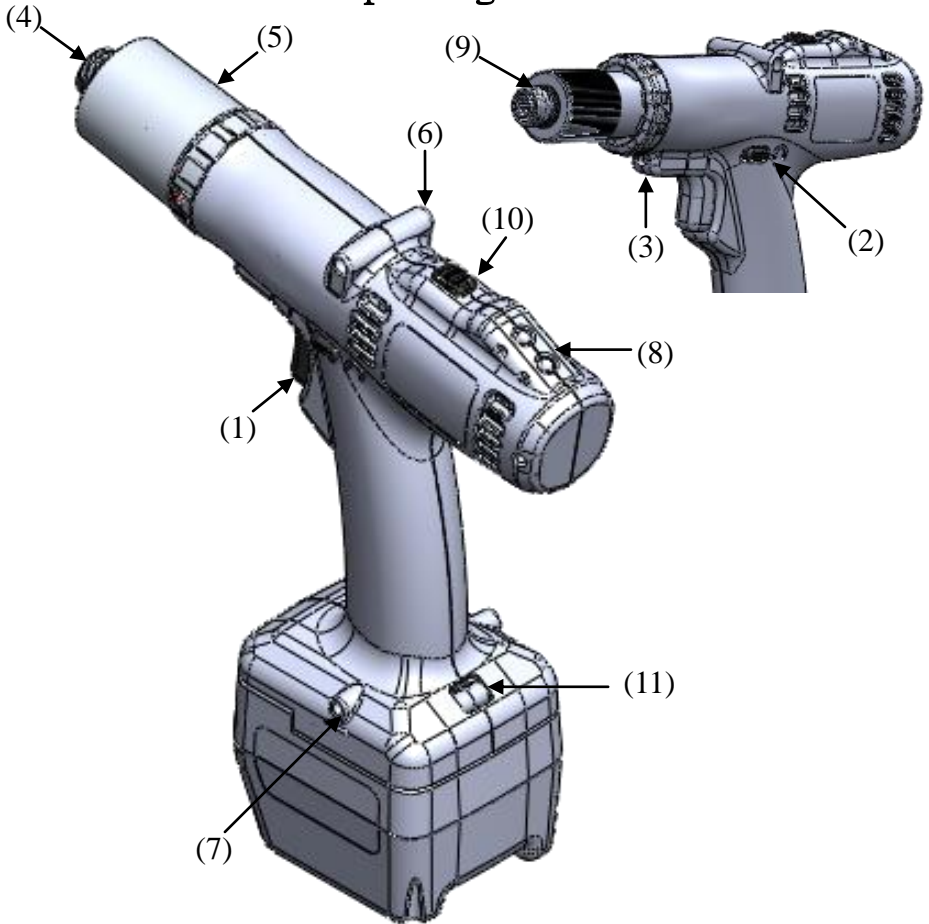


(1) Press the release button and take it out of the device

(2) Follow the arrow direction.

(3) Removed completely.

## Function / Operating Introduction



Function Name Table

No.	Description	No.	Description
(1)	Trigger Switch	(7)	S waist hook
(2)	Forward/Reverse Lever	(8)	Indication light
(3)	LED Light	(9)	Torque Adjustment Ring
(4)	Bit Sleeve	(10)	Speed adjustment
(5)	Torque Fixing Ring	(11)	Wrist strap hole
(6)	Driver Hook Hole		

# Manual / Function

## 1. Full auto shut-off screwdriver:

It stops automatically when the screw has been tightened up and reached the set-up torque level. The device will not cause damage of task since no continue running after screws are tightened.

### (1) Trigger switch:

The LED lights on when the trigger switch has been pressed about one-third down, and then the screwdriver starts functioning when the switch trigger has been pressed half way down; on the contrary, it stops when the screw has been tightened up or the trigger has been released.

### (2) Forward / Reverse switch:

When the switch turn to the right as arrow indicates, the screwdriver will be clock-wise screwing to tighten things up; Vice versa, left switch means to release the screw. As the diagram showing, always set the switch to neutral position when the screwdriver is not being used.



Forward (screw)



Reverse (unscrew)

### (3) LED light:

While press the trigger, the LED lights up automatically to assist the job to be done; on the contrary, it will be off once the trigger has been released.

### (4) Bit Sleeve:

Switch the screw bit and compatibility, pull the head of the type B screwdriver, and install the bit according to the diagram below, after installing the bit please also install the W type cap and push it in following the arrow indicated on the diagram below on diagram #2.

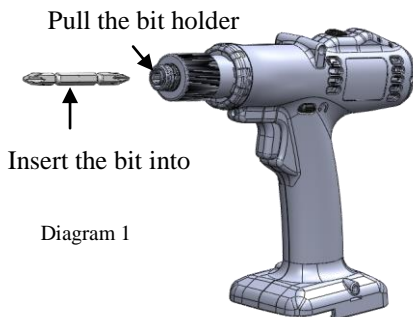


Diagram 1

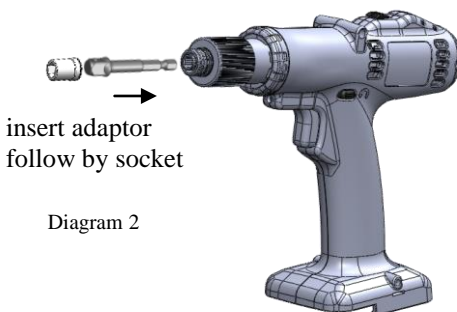
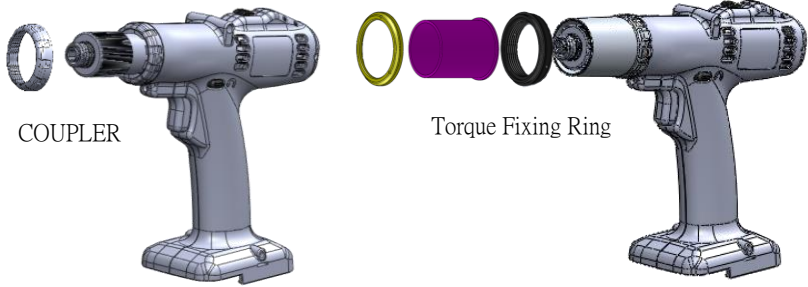


Diagram 2

**(5) Torque Fixing Ring/Coupler:**

- 1).Torque Fixing Ring: To prevent torque to be adjusted, fixed upside-underside housing and clutch.
- 2).Coupler: Fixed upside-underside housing and clutch.



**(6) Driver Hook:**



It is convenient that the production lines are able to have spring balancers work together with the tools to be more efficiently.



**(7) Waist hook:**

The waist hook allows users to carry the device easily by attaching it to their work belt.

**(8) Functional light and the status indicator:**

Whenever the remaining power in the rechargeable battery is fewer than 20%, the tool is still alive but with red flash lights on. Once the remaining power is towards 10% or even fewer it may result in poor performance with the continuing red lights on.

LED and Buzzer	Reached adjustment torque 	NG 
LED Display	Green light on-off	Red light on-off
Buzzer	1 short alarm	1 long alarm

Low Battery LED Display & Buzzer	Capacity 20% ↓ (17.5V) 	Capacity 10% ↓ (17V) 
LED Display	Red light flicks	Red light turn on(Out of battery)
Buzzer	Non-stop B Short Buzzer	2 Short & 1 Long Buzzer
Screwdriver Action	Rotating	No Action

**(9)Torque Adjustment Ring:**

Turn torque adjust ring counter clock wise to increase torque output, on the other hand decrease torque output by turning torque adjust ring clock wise. 0 printed on the torque adjust ring indicates the minimum torque for setting and 8 for the maximum torque setting. Do not turn torque adjust ring lower than 0 or higher than 8 to avoid torque adjust ring getting stuck with clutch.



**(10) Hi/Lo Switch:** When the rotating speed needs to be changed, set up the switch to Hi for the fastest rotation, and set up the switch to Lo for slowest rotation. It's possible that the uncompleted shut-off occurs when the switch is setup to Lo and the presetting torque is more than 50% of torque range. Please refer to the following table.

LO 扭力跳脫	PTA-B120	PTA-B90	PTA-B50F	PTA-B60	PTA-B35	PTA-B35F
正常跳脫	7.8N m ↓	5.9N m ↓	3.3N m ↓	3.9N m ↓	2.3N m ↓	2.3N m ↓
產生異常跳脫	7.8N m ↑	5.9N m ↑	3.3N m ↑	3.9N m ↑	2.3N m ↑	2.3N m ↑

### (11) Hole for wrist band

Enable to install the wrist band which is more convenient and safer for users.

### (12) Hole for wrist band

Prevent slip and help user grip the screwdriver

Torque setting identification. Three colors: blue, yellow, and red can help identify different torque setting by the users.

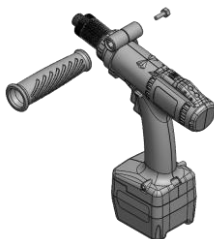
## 2. Auxiliary handle

For easier use of the screwdriver, there is a handle for assisting purpose.

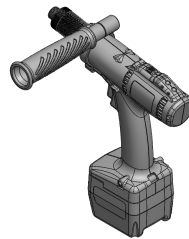
**▲ Warning, this power screwdriver delivers high torque, please install the handle before doing work in order to avoid danger. We are not responsible for any damage or injury caused by using this product without handle.**



(1) Installing the base



(2) Installing the handle



(3) Complete

## Other Cautions

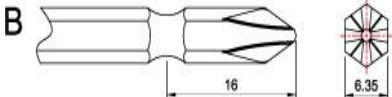
1. The best condition of using the tool is under 8 hours a day, do not over loaded.
2. Do not attempt to repair or disassemble this cordless screwdriver without authorization. Always have the device serviced by assigned factory or qualified person in order to have the warranty effective continually.
3. KILEWS is not responsible for any poor performance or damage caused by customers own modification of the tool.
4. It is necessary for the management to have individual operators read and follow up all instructions in this manual. Do not attempt to repair or disassemble this cordless screwdriver themselves.

5. Chemicals, Acetone, Benzene, Alcohol, Thinner, Ketone, trichloroethylene, etc shall not be in contact with the surface of the screwdriver in order to prevent chemical damage.
6. Please follow instruction carefully and do not drop or shock the screwdriver.
7. This is an external torque adjustment screwdriver, 0 on the torque adjust ring stands for minimum torque and 8 for maximum torque. The rated operation time is 1 second / 3 seconds (ON / OFF). Appropriate fastening frequency is 15 fasteners in each minute. Overrunning may damage motor due to overheat. Proper amount of screwdriver resting is recommended to prevent motor overheating.
8. Not allow to turn the Hi/Lo switch during operation in order to cause system malt-function.
9. The device will not be able to function again once the OK/NG indicator/signal is not turn off yet.
10. When adjusting the torque, for safety purpose should stop the screwdriver completely and set the switch to neutral position. It could prevent the user from turning the tool on accidentally.
11. During operation, the switch has been changed accidentally that the device will enable its self-protecting mode which is power off. Re-start the tool when this happen.
12. Each operational torque setting, using time and frequency may result in different level of wear and tear, at higher torque setting and use extensively could accelerate the wearing down of tool. After one month, the torque is getting reduce gradually at the rate of 2~3% or 3~5 % (max torque). The longer use of the device, torque reduction will become stable and the users could measure the torque by a tester on a regular time schedule to check if the torque power still meets the criteria.
13. SKC-PTA-B60/35/35F are tested by our torque meter KTM-CSH.
14. Kilews cordless screwdriver torque output is generated by clutch machnism, and it is applicable to ISO 6789.

## Description of Battery and Charger


1. KILEWS SKC-LB1820B series of batteries as options to fit in the device; you may consult with local agent based on your task requirement.
2. The use of other than genuine KILEWS batteries or screwdrivers can't be active due to the build-in protection system enforce no charging.
3. Recommended to use SKC-P80W-D

## Specifications

MODEL		PTA-B120	PTA-B90	PTA-B50F	PTA-B60	PTA-B35	PTA-B35F
INPUT VOLTAGE(DC)		DC 18V					
TORQUE	(N.m)	6~12	3~9	2~5	2~6	1~3.5	1~3.5
Torque accuracy (%)		Torque accuracy (%)					
Torque adjustment		Torque adjustment					
Unloaded Speed n0 (r/min)±10%	HI	880	1000	2200	1000	1000	2000
	LO	570	650	1400	650	650	1300
Screw size (mm)	Machine screw	≤6	5.0~6.0	4.0~5.0	4.0~5.0	4.0~5.0	4.0~5.0
Weight (Kg)		0.79kg (w/o battery )					
Length (mm)		217mm * 169 mm ( L * H w/o battery )					
Applicable auxiliary handle		C15001-2					
Applicable battery		SKP-LB1820B					
Applicable charger station		SKC-P80W-D					
Applicable Bit type							

**Bits** :square B: Hex 6.35mm

**Accessory** ~ B I T no. : NO.3# Apply to 3.0~4.0mm

**CAUTION**   
**SAVE THE INSTRUCTIONS**  
**DO NOT DESTROY**