

SKC-PTI CORDLESS IMPACT - SHUT-OFF

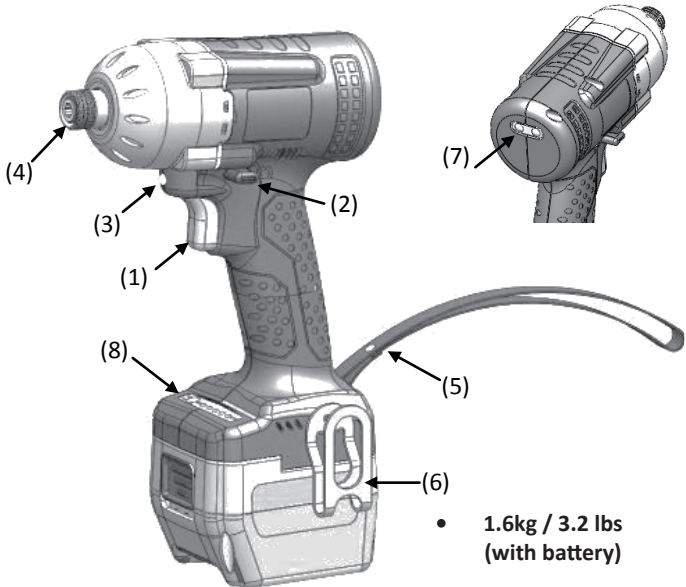
Brushless Medium Torque Battery Screwdrivers Series

SKC-PTI-100



Status Indicator Light
Green - Shut-Off Indication
Red - Battery Charge Status

Torque Range Selection



• 1.6kg / 3.2 lbs
 (with battery)

Torque Range:
 0 - 100 Nm (0-74 ft.lbs)

Features:

- Five Selectable Shut-off Settings.
- Compact Cordless Design.
- LED Light to illuminate work area.
- Status lights indicate proper shut-off and low battery charge.

Overview

No.	Description	No.	Description
(1)	Trigger Switch	(5)	Wrist Strap
(2)	Fwd/Rev button	(6)	Belt Hook
(3)	LED Work Area Light	(7)	Status Indicator Light
(4)	Bit Retainer	(8)	Torque Range Selection

Specifications

Model	SKC-PTI-100	
Input Voltage	18V	
Free Speed (r.p.m) ±10%	0-2300	
B.P.M.	0-3000	
Torque (N.m)(ft.lb)	0-100 Nm / 74 ft.lb	
Impact Modes	1	0-20 Nm / 15 ft.lb
	2	0-40 Nm / 30 ft.lb
	3	0-60 Nm / 40 ft.lb
	4	0-80 Nm / 59 ft.lb
	5	0-100 Nm / 74 ft.lb
Weight(kg)(lbs)	1.0kg / 2.2lbs (without battery)	
Size(mm)(in)	155 x 195(mm) / 6.1 x 7.7(in) (LxH without battery)	
Applicable Battery	SKC-LB1820B	
Applicable Charge Station	SKC-P80W-D	
Drive size	1/4" Hex	

External Dimensions (mm)

