



# OPERATION AND MAINTENANCE MANUAL

SK-B6125L

SK-B6150L

SK-B6125LF

SK-B6125P

SK-B6150P

SK-B6125PF

**AC-TYPE Brushless Electric Screwdrivers**

**KILEWS INDUSTRIAL CO., LTD.**

[www.kilewest.com](http://www.kilewest.com)

KILEWS WEST USA INC. - 6945 LTC PKWY - PORT ST LUCIE, FL 34986  
PHONE (772) 293-0071 FAX (772) 465-4368 EMAIL SALES@KILEWSWEST.COM

**NOTICE**

Metal Assembly Screwdrivers are designed for installing threaded fasteners in light industrial and appliance manufacturing applications.  
KILEWS is not responsible for customer modification of tools for applications on which KILEWS was not consulted.

**WARNING****Important safety information enclosed.**

Read all these instructions before placing tool in service or operation and save these instructions. It is the responsibility of the employer to place the information in this manual into the hands of the operator. Failure to observe the following warnings could result in injury. When using electric tools, Basic safety precautions should always be followed to reduce the risk of fire, electric shock and personal injury, including the following:

## Important Safety Rules

**WARNING!** Read all instructions. Failure to follow all instructions listed below may result in electric shock fire and/or serious injury. The term “power tool” in all of the warning listed below refers to your mains-operated (corded) power tool or battery operated (cordless) power tool.

### SAVE THESE INSTRUCTIONS

#### 1) Work area Safety

- a) **Keep work area clean and well lit.** Cluttered and dark areas invite accidents.
- b) **Do not operate power tools in explosive atmosphere, such as in the presence of flammable liquids, gases or dust.** Power tools create sparks which may ignite the dust or fumes.
- c) **Keep children and bystanders away while operating a power tool.** Distractions can cause you to lose control.

#### 2) Electrical Safety

- a) **Power tool plugs must match the outlet. Never modify the plug in any way. Do not use any adapter plugs with earthed (grounded) power tools.** Unmodified plugs and matching outlets will reduce risk of electric shock.
- b) **Avoid body contact with earthed or grounded surfaces such as pipes, radiators, ranges and refrigerators.** There is an increased risk of electric shock if your body is earthed or grounded.
- c) **Don't expose power tools to rain or wet conditions.** Water entering a power tool will increase the risk of electric shock.
- d) **Do not abuse the cord. Never use the cord to carrying, pulling or unplugging the power tool. Keep cord away from heat, oil, sharp edges or moving parts.** Damaged or entangled cords increase the risk of electric shock.
- e) **When operating a power tool outdoors, use an extension cord suitable for outdoor use.** Use of a cord suitable for outdoor use reduces the risk of electric shock.

#### 3) Personal Safety

- a) **Stay alert, watch what you are doing and use common sense when operating a power tool. Do not use power tool while you are tired or under the influence of drugs, alcohol, or medication.** A moment of inattention while operating power tools may result in serious personal injury.
- b) **Use safety equipment. Always wear eye protection.** Safety equipment such as dust mask, non-skid safety shoes, hard hat, or hearing protection used for appropriate conditions will reduce personal injuries. Rubber gloves and non-skid footwear are recommended when working outdoors.
- c) **Avoid accidental starting. Ensure the switch is in the off-position before plugging in.** Carrying power tools with your finger on the switch or plugging in power tools that have the switch on invites accidents.
- d) **Remove any adjusting keys or wrench before turning the power tool on.** A wrench or a key that is left attached to a rotating part of the power tool may result in personal injury.
- e) **Do not overreach. Keep proper footing and balance at all times.** This enables better control of the power tool in unexpected situations.
- f) **Dress properly. Do not wear loose clothing or jewelry. Keep your hair, clothing, and gloves away from moving parts.** Loose clothes, jewelry, or long hair can be caught in moving parts
- g) **Secure work.** Use clamps or a vice to hold the work. It is safer than using your hand and frees both hands to operate the tool.
- h) **If devices are provided for the connection of dust extraction and collection facilities, ensure these are connected and properly used.** Use of these devices can reduce dust-related hazards.

#### 4) Power tool Use and Care

- a) **Do not force the power tool. Use the correct power tool for your application.** The correct power tool will do the job better and safer at the rate for which it was designed.
- b) **Do not use power tool if switch does not turn it on / off.** Any power tool that cannot be controlled with the switch is dangerous and must be repaired.
- c) **Disconnect the plug from the power source before making any adjustments, changing accessories, or storing the power tools.** Such preventive safety measures reduce the risk of starting the power tool accidentally.
- d) **Store idle power tools out of the reach of children and do not allow persons unfamiliar with the power tool or these instructions to operate the power tool.** Power tools are dangerous in the hands of untrained users.  
Do not let visitors touch the tool or extension cord. All visitors should be kept away from work area.
- e) **Maintain power tools. Check for misalignment or binding of moving parts, breakage of parts and any other condition that may affect the power tools operation. If damaged, have the power tool repaired before use.** Many accidents are caused by poorly maintained power tools.  
Inspect extension cords periodically and replace, if damaged.
- f) **Keep cutting tools sharp and clean.** Properly maintained cutting tools with sharp cutting edges are less likely to bind and are easier to control.
- g) **Use the power tools, accessories and tool bits etc., in accordance with these instructions and in the manner intended for the particular type of power tool, taking into account the working conditions and the work to be performed.** Use of the power tool for operations different from those intended could result in a hazardous situation.

#### 5) SERVICE

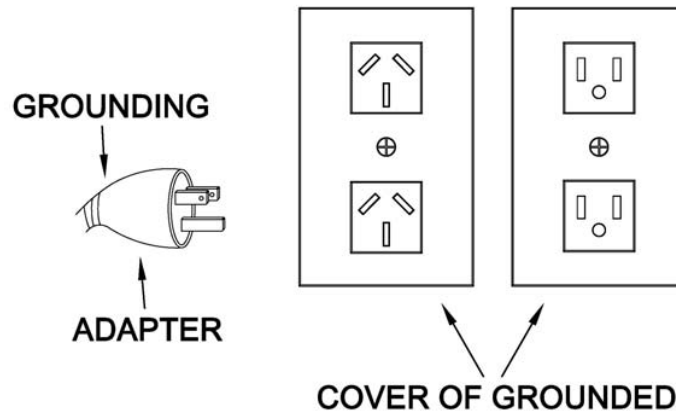
- a) Have your power tool serviced by a qualified repair person using only identical replacement parts, This will ensure that the safety of the power tool is maintained.

**WARNING !** 

**DO NOT OPERATE THIS TOOL WITHOUT  
PROTECTIVE EARTH CONNECTED**

**Grounding Instructions**

- 1、 This tool should be grounded while in use to protect the operator from electric shock. NOTICE! To ensure the grounding result, the grounding conductor of the power cord must be well connected with the grounding terminal of power facility. This tool is equipped with grounding conductors. The Green (or Green and Yellow) conductor in the Power Cord is the grounding wire. Never connect Green (or Green and Yellow) to a live terminal. The grounding wires in this tool can not only earth the electric leakage safely, but also can eliminate ESD-the electrostatic that tool occurred while in use.
- 2、 The grounding is the most important task for a user. Periodically, depends on the working condition and circumstance, for maintaining a good function, the user has to check the grounding condition every 3~6 months by an electric meter and following simple steps; Set the Ohm meter to level R\*10(Ohm). Touching 2 test rods (“+”&”-”) together and reset the meter to “0”. Using the Red (“+”) rod to touch the Grounding wire on the Plug of controller’s cord, and the Black (“-”) rod to the end of Bit Head. It stands for the grounding is normal if the meter is read as close as to “0”. For getting a normal indication on the meter while in testing, need to press the test rods firmly to the testing objects.
- 3、 The instrument QC of the tool is performed before the tool ex-factory. The grounding continuity test is conducted by input 8A or 25A current (depends on the model) to the end of earth terminal, and subject to the resistance value lower than 0.5(Input 8A current) or 0.1(Input 25A current) Ohm.



## Operations Cautions

- 1) Whenever changing a bit, make certain the Forward / Reverse Switch is in the “OFF” position and tool is unplugged.
- 2) Do not allow chemicals such as acetone, benzene, thinner, trichloroethylene ketone, or other similar chemicals to come in contact with the screwdriver housing as damage will result.
- 3) Do not drop or abuse the screwdriver.
- 4) Do not adjust the torque setting higher than 8 on the torque scale.
- 5) This tool is intended for a duty cycle of 1.0 seconds “ON” and 3.0 seconds “OFF”.
- 6) This screwdriver is not intended to driver wood screws.
- 7) Do not operate the Forward / Reverse Switch while the motor is running.
- 8) Whenever a tool is not being used, move the Forward / Reverse Switch to the “OFF” position and unplug the power cord.
- 9) Don't touch Forward & Reverse Switch during operating for keeping system from wrong judgment.

### CAUTION

- Do not drop or abuse the tool.
- Whenever a tool is not being used, position the Power Switch to the “OFF” position and unplug the power cord.

## Description of Operation

### Attaching / detaching bit and bit type

Push up the holder clamp by fingertip, and it will be unlocked. Thus, the bit can be freely attached and detached (single finger notion type) select such a bit whose shank is equal to the size shown below.

- Insert the power plug into a receptacle and set the changeover switch to “F” position.
- Apply the bit to the screw head and press the lever or push main body (if using a push-to-start model), and then the switch will be turned ON to start the motor running.
- When the screw is tightened and reach the torque that user had set, the tool will stopped automatically.
- To reset the tool, user should release the lever to the original position or release the bit (if using a push-to-start model) from the screw head.
- To return the screw, set the changeover switch to “R” position.

## Servicing

### Maintenance and Inspection:

1. Screwdrivers should be maintained in top running condition and used no more than 8 hours per day.
2. To avoid motor overheating, do not drive more than 10-15 screws per minute.
3. If the screwdriver is used more than 8 hours per day, service should be performed more frequently.
4. Inspect tool cords periodically and if damaged, have them repaired by an authorized service center.  
Inspect extension cords periodically and replace if damaged.
5. Do not remove any labels. Replace any damaged label.



1. The use of other than genuine KILEWS replacement parts may result in decreased tool performance and increased maintenance, and may invalidate all warranties.
2. All repairs and maintenance of this tool and its word must be performed by an authorized service center.
3. KILEWS is not responsible for customer modification of tools for applications on which KILEWS was not consulted.
4. Repairs should be made only by authorized, trained personnel. Consult your nearest KILEWS authorized service center.
5. It is the responsibility of the employer to inform all operators of the information in this manual.

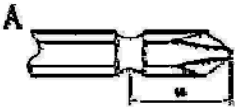

**DO NOT ATTEMPT TO REPAIR THIS  
ELECTRIC SCREW DRIVER**

**CAUTION**

**SAVE THESE INSTRUCTIONS  
DO NOT DESTROY**



## Specifications

MODEL	SK-B6125L	SK-B6125LF	SK-B6150L	SK-B6125P	SK-B6125PF	SK-B6150P	
Input voltage(AC)	AC115V 50/60HZ 0.5A						
Power Consumption	48W	48W	48W	48W	48W	48W	
Torque	(kgf.cm)	5-25	5-25	20-50	5-25	5-25	20-50
	(Lbf.in)	4.34-21.7	4.34-21.7	17.36-43.4	4.34-21.7	4.34-21.7	17.36-43.4
	(N.m)	0.49-2.45	0.49-2.45	1.96-4.9	0.49-2.45	0.49-2.45	1.96-4.9
Repeatable Torque Accuracy (%)	±3%						
Torque Adjustment	Stepless						
Unloaded Rotation Speed (R.p.m) ±10%	HI	1000	2000	1000	1000	2000	1000
Screw Size Dia	Machine screw(mm)	2.6~4.0	2.6~4.0	4.0~5.0	2.6~4.0	2.6~4.0	4.0~5.0
	Tapping screw(mm)	2.6~3.5	2.6~3.5	≤4	2.6~3.5	2.6~3.5	≤4
Weight (g)	740						
Length (mm)	290						
Model of Torque Fixing Ring	KC-7						
Model of Suspension Rack	KH-2L						
Bit Type	<div style="display: flex; justify-content: space-around; align-items: center;"> <div style="text-align: center;">  <p>HEX 5mm(NO.2)</p> </div> <div style="text-align: center;">  <p>HEX 6.35mm(NO.2)</p> </div> </div>						

\* 1N.m=10.2Kgf.cm 1N.m=8.85Lbf.in

## Accessories

1. Bit Type :
 

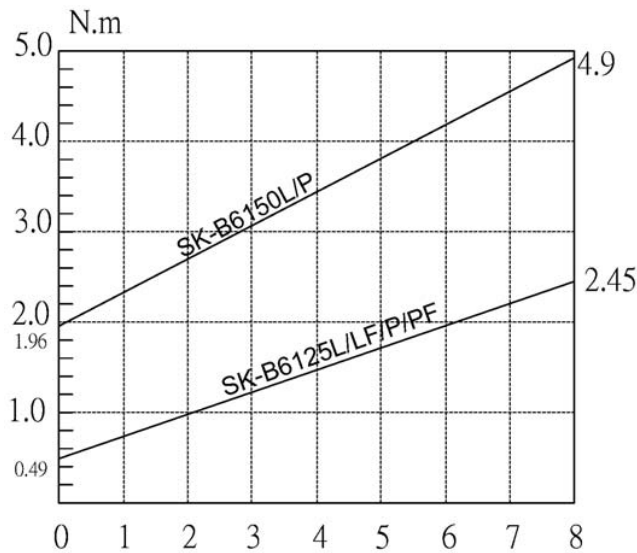
No. 00	· · ·	Bit use in dia 1.3~1.8mm screw
No. 0	· · ·	Bit use in dia 1.8~2.0mm screw
No. 1	· · ·	Bit use in dia 2.0~2.6mm screw
No. 2	· · ·	Bit use in dia 3.0~4.0mm screw

SK-B6125L ; SK-B6125P	with BIT	2#	2 Pcs.
SK-B6150L ; SK-B6150P	with BIT	2#	2 Pcs.
SK-B6125LF ; SK-B6125PF	with BIT	2#	2 Pcs.
2. Suspension rack and Torque fixing ring acceptable for use with the tool are available from KILEWS catalogue.
3. Torque Fixing Ring KC-7C 1 Pcs

## Torque Adjustment Operation

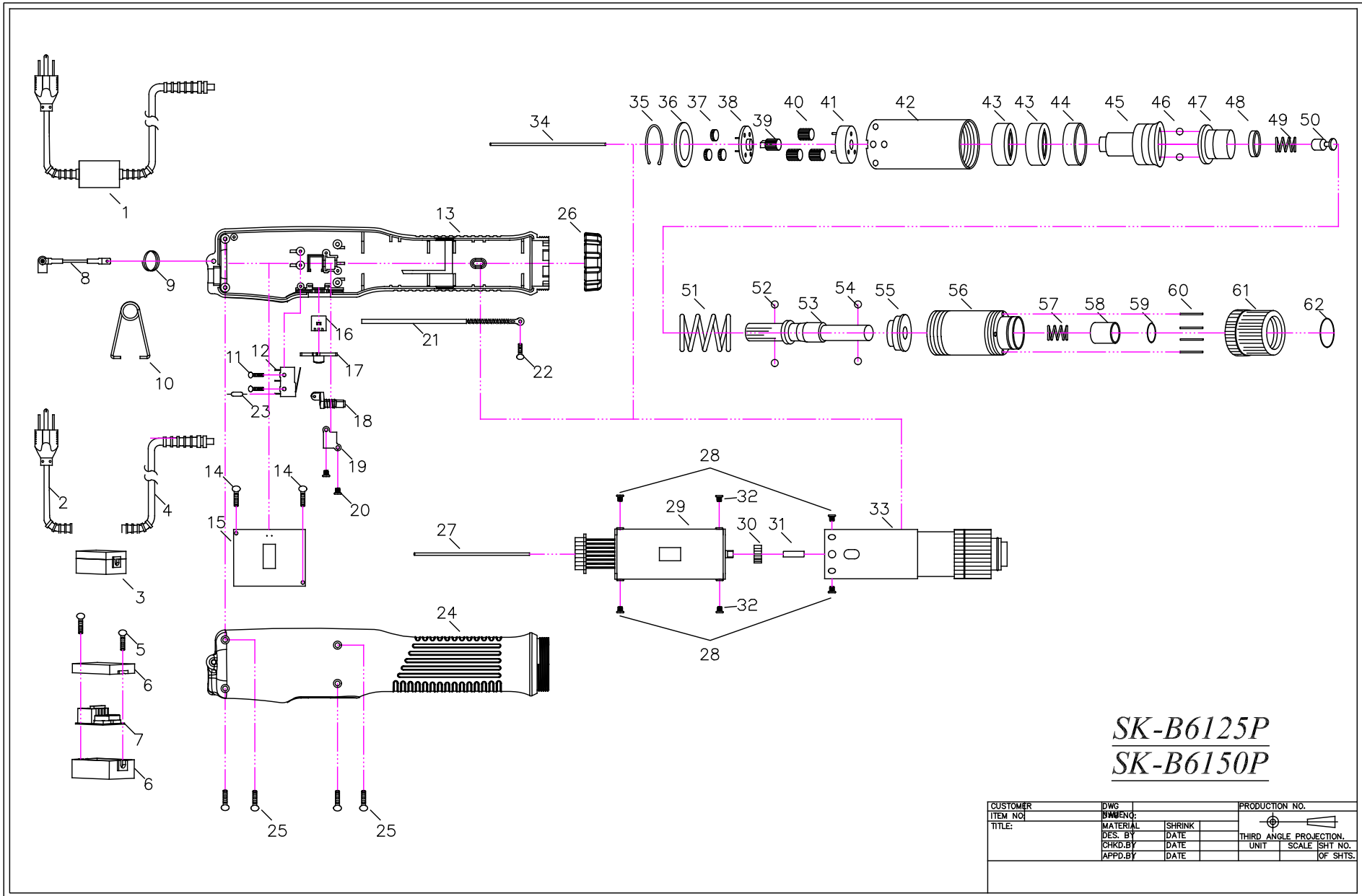
To adjust the torque on these screwdrivers. Proceed as follows:

1. Determine the torque output of the tool by checking a tightened fastener with a torque wrench.
2. Increase or decrease the torque by turning the torque adjusting nut on the nose of the driver. Turning the nut clockwise to a higher number on the torque scale increase torque output while rotating the nut counterclockwise to a lower number decreases the torque output.
3. Check the adjustment with a torque wrench. A number of factors will affect torque output from one job to another. Final torque adjustment should be made at the job through a series of gradual increase. Always start below the desired torque and work upward.
4. Adjust the bit torque by changing the driving in length of the adjust nut at the end.
5. The relationship between torque scale on nut and bit torque is as shown in the torque diagram. The figures of torque scale do not indicate bit torque actual values. However, the clamping torque of screw itself is different from type, size, material of the screw and the material of its mating part. Use it as standard to obtain an appropriate clamping torque.
6. The (Return torque method) in which once-clamped screw is returned with torque wrench or the like is available as one of torque control methods however, note that the measured values by the return torque method generally appear in 10%~30% lower than the actually clamping torque.
7. The torque tester measures the torque of screwdriver. The clamping torque of screw itself is different from the clamped conditions. Understand the correlation between clamping torque values and the torque tester values perform the torque control properly.



### CAUTION

1. Also in reverse rotation, the clutch is shut-off in such manner as in normal rotation, stopping the motor running accordingly, when the screw tightened at a large torque, set it to a higher torque scale.
2. The numbers from zero to eight on the torque scale are reference number only and not an indication of actual torque output.
3. Please refer to Kilews website <http://www.kilews.com> for the detail component list.



*SK-B6125P*  
*SK-B6150P*

CUSTOMER	DWG	PRODUCTION NO.				
ITEM NO.	REV					
TITLE:	MATERIAL				SHRINK	
	DES. BY				DATE	
	CHKD. BY				DATE	
	APPD. BY	DATE	UNIT	SCALE		
				OF SHTS.		

NO	PARTS NO	PARTS NAME-E	PARTS NAME-C	Q'ty	NO	PARTS NO	PARTS NAME-E	PARTS NAME-C	Q'ty
1	AM30001-A	Cord Assy-AMERICA Plug	電源線整組 美規	1	32	CH20102-3I	SCREW	固定螺絲	2
	AM30001-E	Cord Assy-EUROPE Plug	電源線整組 歐規	1	33	GZ84001-3A	CLUTCH ASSEMBLY-B6125PA	離合器成品-B6125PA	1
	AM30001-U	Cord Assy-BRITISH Plug	電源線整組 英規	1		GZ84001-3B	CLUTCH ASSEMBLY-B6150PA	離合器成品-B6150PA	1
	AM30001-I	Cord Assy-INDIA Plug	電源線整組 印規	1		GZ84001-4A	CLUTCH ASSEMBLY-B6150PB	離合器成品-B6150PB	1
	AM30001-D	Cord Assy-AUSTRALIA Plug	電源線整組 澳規	1		GZ84001-4B	CLUTCH ASSEMBLY-B6145PB	離合器成品-B6145PB	1
2	AA30007-1	Cord 1FT with AMERICA Plug	1呎長電源線 美規	1	34	MI30511-11	PILOT ROD	引導棒無導磁	1
	AA30007-2	Cord 1FT with AMERICA Plug	1呎長電源線 歐規	1	35	GK21181	"C" RING	齒輪固定C環	1
	AA30007-5	Cord 1FT with AMERICA Plug	1呎長電源線 英規	1	36	GI21191	IRON WASHER	齒輪固定片	1
	AA30007-5E	Cord 1FT with AMERICA Plug	1呎長電源線 印規	1	37	GH21221-2	IDLE GEAR	上游星齒輪	3
	AA30007-1D	Cord 1FT with AMERICA Plug	1呎長電源線 澳規	1	38	GG21231	GEAR SEAT	三點上齒盤	1
3	EJ30004	RECTIFIER-BOX ASSEMBLY	整流盒成品	1	39	G20114	CENTRAL GEAR	中心齒	1
4	AA30009-1T	CORD 9"	9呎長電源線	1	40	GH92238	IDLE GEAR	下游星齒輪	3
5	CH90152-1	SCREW	螺絲	2	41	GG21514	GEAR SEAT	三點下齒盤	1
6	EC30006	EMC-BOX CASE ONLY	EMC盒 上下蓋	1	42	GA91287	GEAR CASE	上離合器筒	1
7	EG31135	P.C.B	機板成品	1	43	GN21251	MAIN BEARING	離合器主軸承	2
8	P12104	8cm RETAINING CLIP	八公分固定線	1	44	GW21532	IRON RING	鐵墊圈	1
9	CJ20011	SUSPENSION RING	起子吊環	1	45	GX90305-1	CAM	上離合器頭	1
10	CJ20012	SUSPENSION HOOK	起子吊鉤	1		GX90305-2	CAM-B6150P	上離合器頭 -B6150P	1
11	CH90151-1	SCREW	螺絲	2	46	GP30361	STELL BALLS-B6125 "5"	跳脫鋼珠-B6125 (5 φ)	2
12	H10201	SHUT OFF SWITCH	剎車開關	1		GP30361	STELL BALLS-B6150 "5"	跳脫鋼珠-B6150 (5 φ)	3
13	C40756F	HOUSING-UNDERSIDE	下蓋半成品	1	47	GF90322	WARING PLATE	扭力推盤	1
14	CH90154	SCREW	螺絲	2	48	GV90331	SPRING CAP	內彈簧蓋	1
15	EG31134	PCB	機板成品	1	49	GO90341	INNER SPRING	下壓式彈簧	1
16	EG31421-4	PCB-CHANGEVER	正反開關半成品	1	50	GU30370	STOP PILOT	停止用酒杯	1
17	CI50212-1	F/R SWITCHING ELEMENT-B6125P	正反轉推板半成品-B6125P	1	51	GE92394-3	WARING SPRING-B6125P	扭力彈簧-B6125P	1
	CI50212	F/R SWITCHING ELEMENT-B6150P	正反轉推板半成品-B6150P	1		GE92388-3	WARING SPRING-B6150P	扭力彈簧-B6150P	1
18	CE50152-3	PUSH ROD	開關推桿半成品	1	52	GP30351	STELL BALLS-4 φ	酒杯鋼珠-4 φ	2
19	CE80001	FIXTURE	三合一固定片	1	53	GD91402A	SHAFT-(A)	傳動軸-(A)	1
20	CH30200	SCREW FOR FIXTURE	三合一固定片螺絲	2		GD91402B	SHAFT-(B)	傳動軸-(B)	1
21	CH30681-1	GROUNDING MEANS	接地線	1	54	GP21291A	STEEL BALLS-(A) 3 φ	起子頭帽鋼珠-(A) 3 φ	2
22	CH30193-30	SCREW	螺絲	1		GP21291B	STEEL BALLS-(B) 2.5 φ	起子頭帽鋼珠-(B) 2.5 φ	2
23	E30703	HOUSING-UPSIDE	二極體 1N4148	1	55	GY21321	WARING SPRING BASE	止推盤	1
24	CA93111	HOUSING-UPSIDE	上蓋	1	56	GB30443-1	CLUTCH CASE A'SSY	下離合器筒半成品	1
25	CH20102	SCREW FOR HOUSING	外殼螺絲	4	57	GO21341-1	BIT SPRING	起子頭彈簧	1
26	CD91033	COUPLER	外殼前鎖環	1	58	GJ21351	BIT SLEEVE	起子頭帽	1
27	MI90583	PILOT ROD	引導棒無導磁	1	59	GQ21361	"C" RING	起子頭帽C環	1
28	CH20102-24	SCREW	固定螺絲	4	60	GL21371	TORQUE ADJUST PIN	扭力調整棒	4
29	MO60001	MOTOR ASSEMBLY	馬達整組	1	61	GM21381	TORQUE ADJUST RING	扭力調整環	1
30	M11326	GEAR	馬達主齒 16T	1	62	GS21391	"C" RING	調整環C環	1
31	MG30081-2	PILOT ROD	陶瓷棒	1					