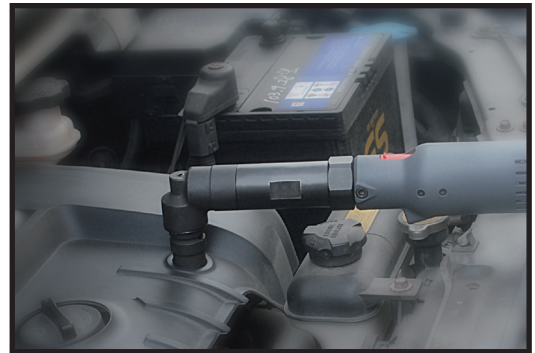


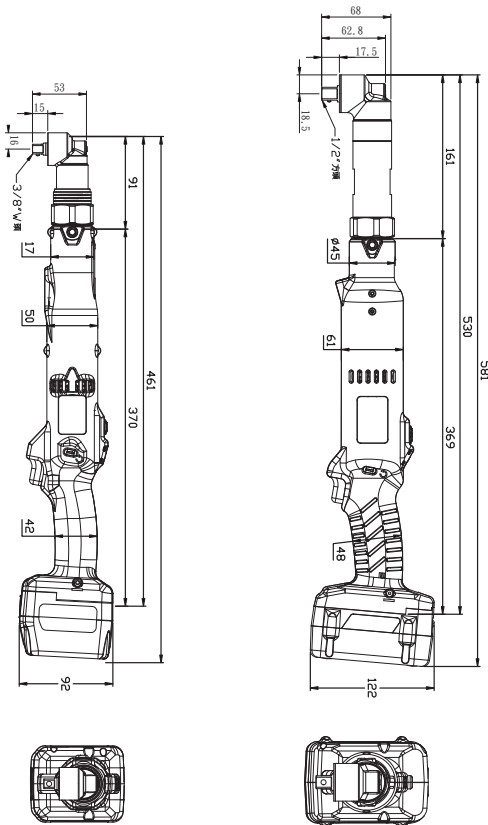
SKC-PTA CORDLESS SHUT-OFF CLUTCH NUT-RUNNERS

Angle Type Brushless High Torque Battery Screwdrivers Series

SKC-PTA-L300 & SKC-PTA-L600



External Dimensions (mm)



Specifications

Model	SKC-PTA-L300	SKC-PTA-L600
Input Voltage	18V	
Torque (Nm)(in.lbs)	12-30Nm 106-266 in.lbs	25-60Nm 221-531 in.lbs
Repeatable Torque Accuracy	±3%	±5%
Torque Adjustment	Internal Stepless	
Free Speed (r.p.m) ±10%	Hi	420
	Lo	270
Weight(kg)(lbs)	1.9kg / 4.2lbs (without battery)	2.85kg / 6.3lbs (without battery)
Size(mm)(in)	460mm / 18.1in (without battery)	530mm / 20.9in (without battery)
Applicable Battery	SKC-LB1820B	SKC-LB1840
Applicable Charge Station	SKC-P80W-D	SKC-P120W/SKC-P80W
Drive Size	W 3/8"sq	W 1/2"sq

**Free load speed will be fixed when battery volume is more than 17V (17-21V)