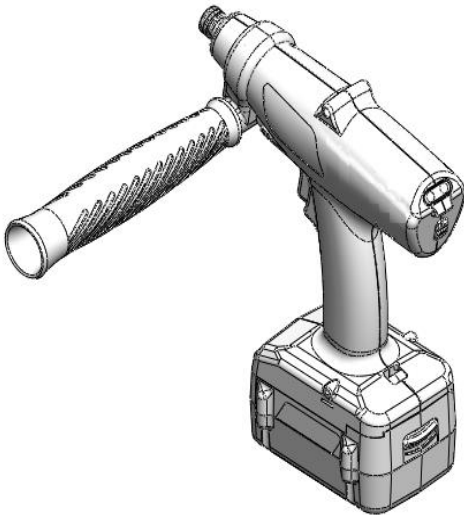


# Automatic Industrial Cordless Brushless Power Torque Screwdrivers Series

## OPERATION AND MAINTENANCE MANUAL



**SKC-PTA-220B**

**SKC-PTA-220W**

**SKC-PTA-150B**

**SKC-PTA-150W**

**SKC-PTA-120B**

**SKC-PTA-80B**

**SKC-PTA-50B**

### **CAUTION!!**

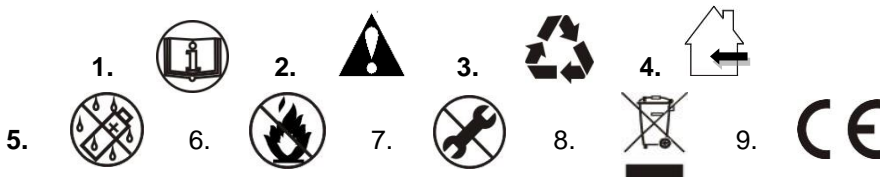
**SKC-PTA SERIES IS ADVANCEMENT IN HIGH TORQUE MOTORS DESIGN.  
TO BE MORE SAFTY, ASSEMBLE THE AUXILIARY HANDLE BEFORE OPERATION.**

**KILEWS INDUSTRIAL CO., LTD.**

<http://www.kilews.com>

Before you use the Cordless Screwdriver for the first time, it is essential to read and understand the manual completely (including the spare parts view). The term “Cordless Screwdriver” in all of the warning listed below refers to your main operated appliance.

## Icon Instructions



1. Read instruction manual.
2. Observe caution and safety notes.
3. Recyclable.
4. For indoor use only.
5. Do not expose to wet or rain conditions.
6. Do not operate in an explosive atmosphere.
7. Do not disassemble.
8. Forbid to throw away.
9. CE certification.

## Accessories

Item	Quantity	Unit
Auxiliary handle base	1	PCS
Auxiliary handle	1	PCS
Adjusting Wrench	1	PCS
Manual	1	PCS
Guarantee Card	1	PCS
Torque rings ass'y	1	Package
Waist hook	1	PCS
Driver hook	1	PCS
Screw M3*0.5P*10LT	1	PCS
Screw M6*50	1	PCS
Socket Extension (SKC-PTA-220B/150B/120B/80B/50B)	1	PCS
BIT (SKC-PTA-220B/150B/120B/80B/50B)	2	PCS

## Warning

Read all instructions and make sure the appearance of the device has no damage before you use it. Failure to follow all instructions listed below may result in electric shock fire and/or serious injury.


1. Keep the working area nice and clean.
  - 1.1 Mess and dark areas may cause of accidents.
  - 1.2 Keep the device away from rain or moisture to decrease the risk of electric shock or short-circuiting occurred.
2. Be alert to workplace safety
  - 2.1 Use the device under a well lit and clean environment.
  - 2.2 Keep children and other people away unless the person has been assigned for the task to avoid the danger of injury.
  - 2.3 Do not play around while the tool is being used to avoid the danger of distractions.
  - 2.4 Do not work with the device in potentially explosive environments in which there are inflammable liquids, gases or dusts. Electrical power tools create sparks, which can ignite dusts or fumes.
  - 2.5 Do not use the device if you are tired or under the influence of drugs, alcohol or medication.
3. When the devices are not being used, store them in a safe place.
4. Use a suitable device for the job will be safer at work and have a better result.
5. Always use a screwdriver that is intended for the task you are undertaking. Do not overload or use it improperly such as drilling or tapping.
6. Dress properly. Do not wear loose clothing or jewels while operating the tool to avoid the danger of trapping.
7. By using the device correctly, make sure to hold it firmly with two hands in place before starting the trigger.
8. When using the electrical power tool, take into account the auxiliary handle or waist hook is advantage of working conditions. On the contrary, the purposes of the waist hook or driver hook is convenient to put the device away and easier to keep it out of reach of children.
9. Look after either the device or the battery carefully and have any damaged parts repaired by an authorized or qualified shop. Always keep the tool nice and clean; pay attention on the machine grease which might ruin the tool.
10. Disconnect the plug from the power source after the charger has been used.
11. Take apart the battery from the device when it is not being used.
12. Use only the accessories that are detailed in the operating instructions. The use of others which are not recommended in the operating instructions may affect the functioning of the device. It could lead to an increased risk of personal injury as well.
13. Remain alert at all times and watch what you are doing during proceeding. Before operation, always check every part is in good condition and move freely in order to function properly.
14. This device only applies for metal screw bits designated with their dimensions and their shape. Do not recommend to countersink or force of loading on any material such as plastic and wooden.
15. The device does not apply for elastic or tensile load with washer on.

16. To prevent parts in gearbox from damage, replace the grease at least once for every year.
17. It is necessary for the operators to read and follow up all the operating instructions in this manual.  
KILEWS is not responsible for any personal injury that might cause of disobeying the safety advices.

## Function of cordless protection

- |                                    |                              |
|------------------------------------|------------------------------|
| ■ Over electric current protection | ■ Prevent from low power     |
| ■ Thermal Protector                | ■ Stall protection           |
| ■ Slow rotation protection         | ■ Reverse control protection |
| ■ Battery Identification           | ■ Sleeping mode              |

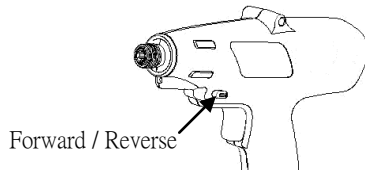
## Warning

 **Do not attempt to repair or disassemble this cordless screwdriver, the warranty will be considered void.**

1. This rechargeable screwdriver maintenance Make sure to remove the battery pack before maintaining or repairing the device by a qualified technician.
2. Do not attempt to disassemble or reassemble the device at will which may result in poor performance or danger of injury, the warranty applies only to initial package.
3. Do not repair the device with other than genuine KILEWS replacement parts may result in poor performance or danger of injury, the warranty will be considered void.
4. The temperature between 0° C ~ 35° C would be an ideal condition of carrying out the tasks on the device.

## Operating instructions

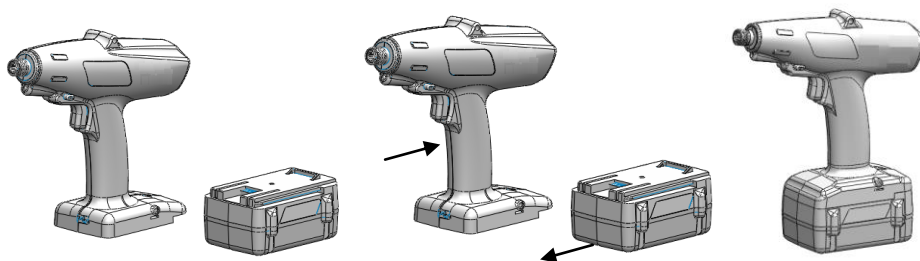
1. Charge the battery in the charging station before first use to make sure operates at its highest capacity. To ensure operators against injuries, release the Forward/Reverse lever as arrow showing below into a center position to have trigger locked before start or disassemble the device.



2.1 Below illustration is showing the process of correct install & disassemble the rechargeable battery. The beep sound comes along with a flash while the screwdriver is supplied genuine battery installation. It could be operated once the battery has been identified.

2.2 Too slow to install the battery may cause error identification so the beep sound and flash would be continuing. In order to function properly, re-assembling it as below process again.

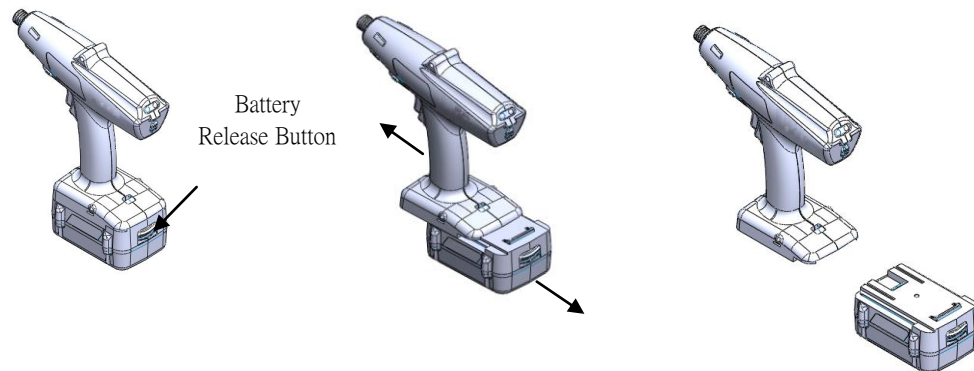
### Insert Battery Steps



(1) Insert the rechargeable battery into the device follow by the arrow as showing.

(2) Assembled completely.

### Remove Battery Steps

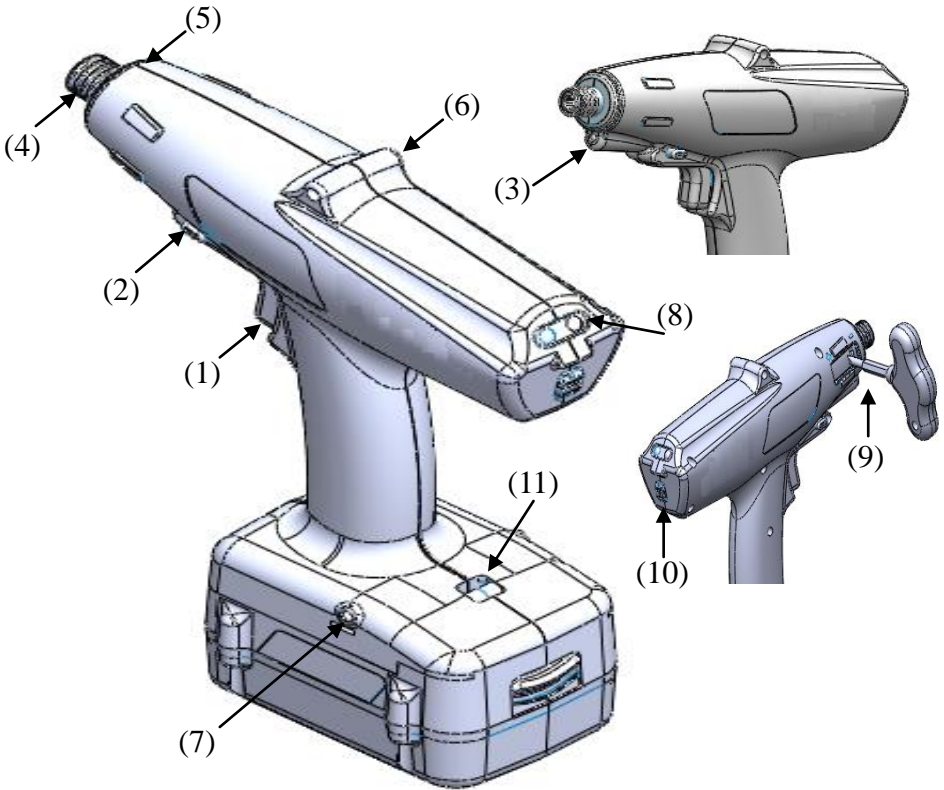


(1) Press the release button and take it out of the device

(2) Follow the arrow direction.

(3) Removed completely.

## Function / Operating Introduction



Function Name Table

No.	Description	No.	Description
(1)	Trigger Switch	(7)	S waist hook
(2)	Forward/Reverse Lever	(8)	Indication light
(3)	LED Light	(9)	Torque wrench
(4)	Bit Sleeve	(10)	Speed adjustment
(5)	Torque Ring	(11)	Wrist strap hole
(6)	Driver Hook Hole		

# Manual / Function

## 1. Full auto shut-off screwdriver

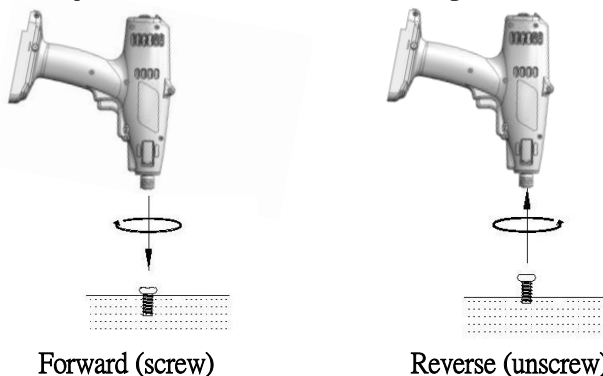
It stops automatically when the screw has been tightened up and reached the set-up torque level. The device will not cause damage of task since no continue running after screws are tightened.

### (1) Trigger switch

The LED lights on when the trigger switch has been pressed about one-third down, and then the screwdriver starts functioning when the switch trigger has been pressed half way down; on the contrary, it stops when the screw has been tightened up or the trigger has been released.

### (2) Forward / Reverse switch

When the switch turn to the right as arrow indicates, the screwdriver will be clock-wise screwing to tighten things up; Vice versa, left switch means to release the screw. As the diagram showing, always set the switch to neutral position when the screwdriver is not being used.

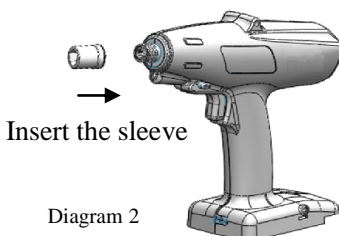
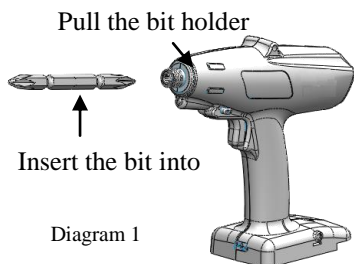


### (3) LED light

While press the trigger, the LED lights up automatically to assist the job to be done; on the contrary, it will be off once the trigger has been released.

### (4) Bit Sleeve

Switch the screw bit and compatibility, pull the head of the type B screwdriver, and install the bit according to the diagram below, after installing the bit please also install the W type cap and push it in following the arrow indicated on the diagram below on diagram #2.



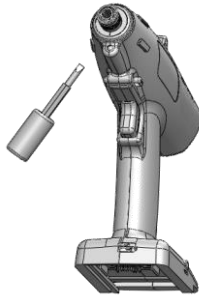
**(5) Torque ring**

The purpose of the color ring is to have the torque level visible; there are 5 different types in total, follow the diagram below for installation/removal.

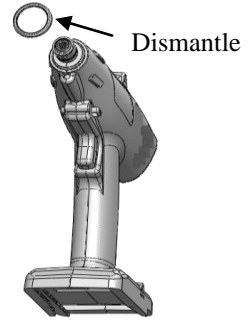
**Removal**



1. Remove the color torque ring from the screwdriver.

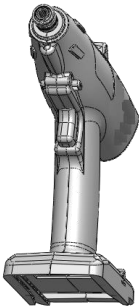


2. Tilt the screwdriver slightly upwards and using the small bit driver to assist the removal of torque ring.

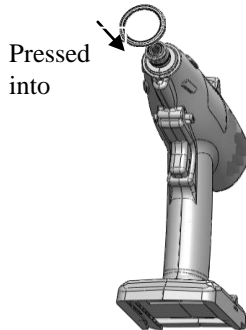


3. Completed removal.

**Install**



1. Slightly tilt the screwdriver upwards about 30 degrees.



2. Install the picked-up torque ring and push inwards following the arrow direction.



3. Completed Installation.

**(6) Driver Hook**

It is convenient that the production lines are able to have spring balancers work together with the tools to be more efficiently.



**(7) Waist hook**



The waist hook allows users to carry the device easily by attaching it to their work belt.



### (8) Functional light and the status indicator



Whenever the remaining power in the rechargeable battery is fewer than 20%, the tool is still alive but with red flash lights on. Once the remaining power is towards 10% or even fewer it may result in poor performance with the continuing red lights on.

Functional indicator Determine the beep sound	 OK screwing with preset torque	 NG screwing
Indicator light	Green on~ off	Red on~ off
Beep sound warning	1 short beep	1 long beep

Indicator of low battery	 Power reserve <20%(17.5)	 Power reserve < 10%(17V)
Indicator light	Blinking Red	Red light on ( low power )
Beep sound warning	Continuing Beeping	2 short 1 long beep
Screwdriver functioning	Able to function	Unable to function

### (9) Torque adjustable

The torque is able to be changed by following steps

- 1) Remove the battery from the device or set the rotation switch to neutral position to prevent the tool from starting up unintentionally.
- 2) Open up the torque safety cover cap; follow the illustration on the right which inserting the torque wrench from the bit sleeve to turn the nut over in a central position, the user may check the nut lock from side uncovered window.
- 3) Having the torque changed by inserting the torque wrench into the nut lock to adjust the torque range.
- 4) Adjusting the torque in two directions (-) for less torque (+) for more torque.
- 5) Torque adjustment wrench showed in a diagram 2: when torque rotation  adjustment wrench turns to the (+) sign means that the Torque adjustment ring will move up to the (+) sign and increase the torque force until reached the maximum torque scale. When the Rotation  torque adjust wrench turns to the (-) means that the torque adjustment ring will move down to the (-) sign and decrease the torque force until reached to the minimum torque scale.

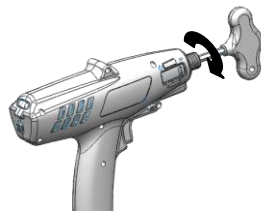


Diagram 1

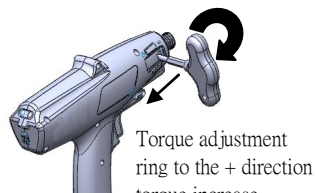


Diagram 2

### (10) Hi/Lo Switch

When the rotating speed needs to be changed, set up the switch to Hi for the fastest rotation, and set up the switch to Lo for slowest rotation. It's possible that the uncompleted shut-off occurs when the switch is setup to Lo and the presetting torque is more than 50% of torque range. Please refer to the following table.

Lo Switch Shut-off	SKC-PTA-50	SKC-PTA-80	SKC-PTA-120	SKC-PTA-150	SKC-PTA-220
OK	1~3N m	4~6N m	6~9N m	4~9.5N m	8~15N m
NG	3N m ↑	6N m ↑	9N m ↑	9.5N m ↑	15N m ↑

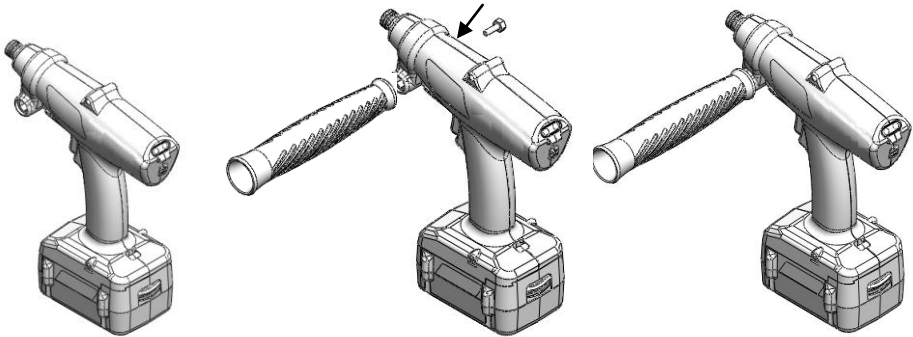
### (11) Hole for wrist band

Enable to install the wrist band which is more convenient and safer for users.

#### 2. Auxiliary handle

For easier use of the screwdriver, there is a handle for assisting purpose.

**⚠ Warning, this power screwdriver delivers high torque, please install the handle before doing work in order to avoid danger. We are not responsible for any damage or injury caused by using this product without handle.**



(1) Installing the base

(2) Installing the handle

(3) Complete

## Other Cautions

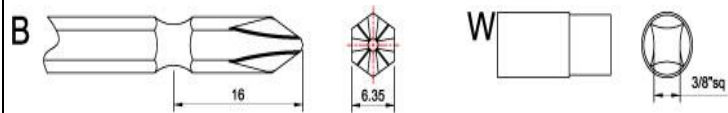
1. The best condition of using the tool is under 8 hours a day, do not over loaded.
2. Do not attempt to repair or disassemble this cordless screwdriver without authorization. Always have the device serviced by assigned factory or qualified person in order to have the warranty effective continually.

3. KILEWS is not responsible for any poor performance or damage caused by customers own modification of the tool.
4. It is necessary for the management to have individual operators read and follow up all instructions in this manual. Do not attempt to repair or disassemble this cordless screwdriver themselves.
5. Chemicals, Acetone, Benzene, Alcohol, Thinner, Ketone, trichloroethylene, etc shall not be in contact with the surface of the screwdriver in order to prevent chemical damage.
6. Please follow instruction carefully and do not drop or shock the screwdriver.
7. This product allows you to adjust freely ( - ) and ( + ) to decrease and increase torque. Different models will deliver different level of torque, when the torque is adjusted to the limit the switch will not be able to turn, please do not force it or it will be damaged. High frequency of using this power tool might cause overheating, please have the tool to be cool down properly.
8. Not allow to turn the Hi/Lo switch during operation in order to cause system malt-function.
9. The device will not be able to function again once the OK/NG indicator/signal is not turn off yet.
10. When adjusting the torque, for safety purpose should stop the screwdriver completely and set the switch to neutral position. It could prevent the user from turning the tool on accidentally.
11. During operation, the switch has been changed accidentally that the device will enable its self-protecting mode which is power off. Re-start the tool when this happen.
12. Each operational torque setting, using time and frequency may result in different level of wear and tear, at higher torque setting and use extensively could accelerate the wearing down of tool. After one month, the torque is getting reduce gradually at the rate of 2~3% or 3~5 % ( max torque). The longer use of the device, torque reduction will become stable and the users could measure the torque by a tester on a regular time schedule to check if the torque power still meets the criteria.
13. The torque range of SKC-PTA-220 must be measured by the KILEWS torque meter KTM-4B-25. The torque range of SKC-PTA-50/80/120/150 must be measured by the KILEWS torque meter KTM-CSH.
14. Kilews cordless screwdriver torque output is generated by clutch machnism, and it is applicable to ISO 6789.

## Description of Battery and Charger


1. How How to choice the correct battery model(SK-C-LB series) is depended on the power consumption of the tool with different torque range. Please contact the local agent for more detail information. Be sure the small pack model (SKC-LB1815/LB1820) battery is not allow to apply to the power torque tools.(SKC-PTA-150/SKC-PTA-220)
2. The use of other than genuine KILEWS batteries or screwdrivers can't be active due to the build-in protection system enforce no charging.
3. SKC-P120W charger with LED on is recommended.

## Specifications

MODEL		SKC-PTA-220	SKC-PTA-150	SKC-PTA-120	SKC-PTA-80	SKC-PTA-50
INPUT VOLTAGE(DC)		DC 18V				
TORQUE	(N.m)	8~22	4~15	6~12	4~8	1~5
Torque accuracy (%)		±3%				
Torque adjustment		Internal adjustment				
Unloaded Speed n0 (r/min)±10%	HI	350	600	720	1200	2100
	LO	200	380	450	780	1370
Screw size (mm)	Machine screw	≤10	≤8	≤6	5.0~6.0	4.0~5.0
Weight (Kg)		1.2kg (w/o battery )		1.0kg(w/o battery )		
Length (mm)		224 mm * 200 mm ( L * H w/o battery )		214mm*197mm (L*H w/o battery )		
Applicable auxiliary handle		C15001-2		C15001-3		
Applicable battery		<b>SKC-LB1830/LB1840</b>		<b>SKC-LB1815/LB1820/LB1830/LB1840</b>		
Applicable charger station		SKC-P120W SKC-P80W SKC-80W				
Applicable Bit type						

**Bits Code** ~ W: square B: Hex 6.35mm

**Accessory** ~ B I T no. : NO.3# Apply to 3.0~4.0mm

**CAUTION**   
**SAVE THE INSTRUCTIONS**  
**DO NOT DESTROY**